



# BUC

## KU-BAND 1081XRTS

### 8W NON-INVERTED

#### SELECTABLE



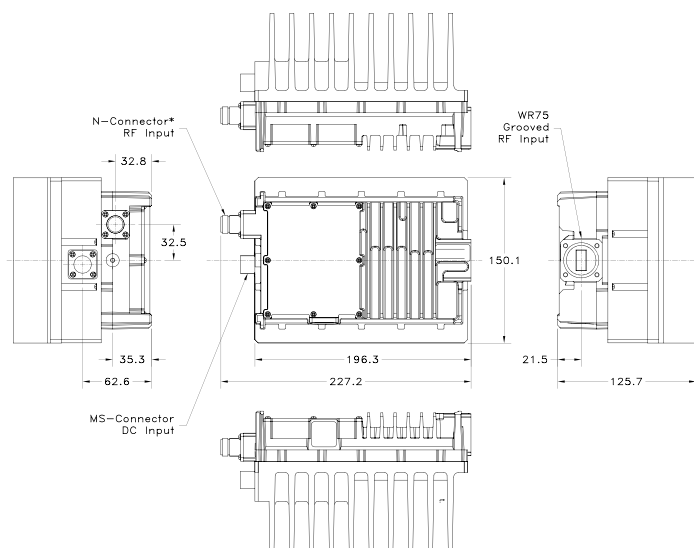
### TYPICAL SPECIFICATIONS

<b>Output frequency</b>	13.75 to 14.50 GHz (14.00 to 14.50 GHz)
<b>Input frequency</b>	950 to 1700 MHz (950 to 1450 MHz)
<b>Output to P1dB</b>	39 dBm
<b>L.O. frequency</b>	12.8 GHz (13.05 GHz)
<b>Input VSWR</b>	2.0 : 1
<b>Output VSWR</b>	2.1 : 1
<b>Phase noise (SSB)</b>	-70 dBc/Hz at 1 kHz -80 dBc/Hz at 10 kHz -90 dBc/Hz at 100 kHz
<b>External reference signal frequency</b>	10 MHz
<b>Power requirements</b>	BUC: 48V BUC & AC PS: 100V BUC & AC PS: 240V
<b>Power consumption</b>	BUC: 80W BUC & AC PS: 94W BUC & AC PS: 91W
<b>Output Waveguide</b>	WR75 - grooved
<b>Dimensions</b>	BUC: 230 (L) x 130 (W) x 130 (H) mm (9.1 x 5.1 x 5.1 in) PS: 258 (L) x 149 (W) x 73 (H) mm (10.2 x 5.9 x 2.9 in)
<b>Weight</b>	BUC: 4.0 kg / 8.8 lb PS: 2.0 kg / 4.4 lb

<b>External reference level</b>	-5 to +5 dBm
<b>10 MHz external reference phase noise</b>	-135 dBc/Hz at 100 Hz -140 dBc/Hz at 1 kHz -150 dBc/Hz at 10 Hz
<b>Gain (including variation over temperature and frequency)</b>	59 dB min 66 dB max
<b>Gain stability over temperature</b>	±2.25 dB at any constant frequency
<b>Gain stability in-band at any constant temperature</b>	±1.0 dB in any 54 MHz band ±3.0 dB over full 750 MHz band
<b>Temperature Range</b>	-40°C to +55°C

Fully contained including universal outdoor AC power supply, universal BUC support brackets, 3m cable and AC power supply cord connectors (AC PS cable not included)

### MECHANICAL DIAGRAM



### HOW TO ORDER

## 1081XRTSN

