



## LNB

### SIMULTANEOUS-BANDS

### PLL 1000DH



#### TYPICAL SPECIFICATIONS

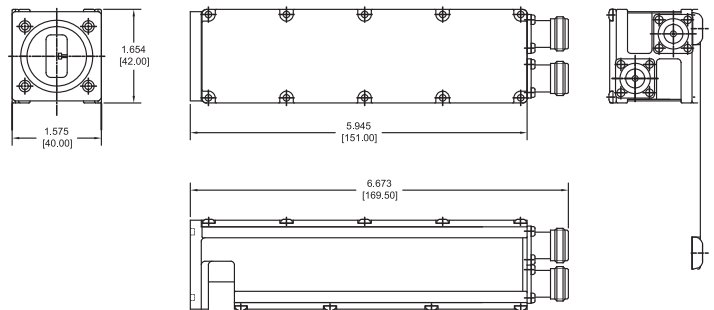
Noise Figure	0.8 dBm
LO Stability	± 10 kHz to ± 25 kHz
LO Phase Noise	-75 dBc at 1 kHz -85 dBc at 10 kHz -95 dBc at 100 kHz
Gain	55 dB
P1dB	+6 dBm
DC Power	18 V

Current	300 mA
Input Waveguide	WR-75
Output	F-connector (75 ohm) N (Optional) (50 ohm)
Dimensions	150 x 42 x 40 (L x W x H)
Weight	300 g
Operating Temperature	-40 ~ +60°C

#### FREQUENCY BANDS AVAILABLE

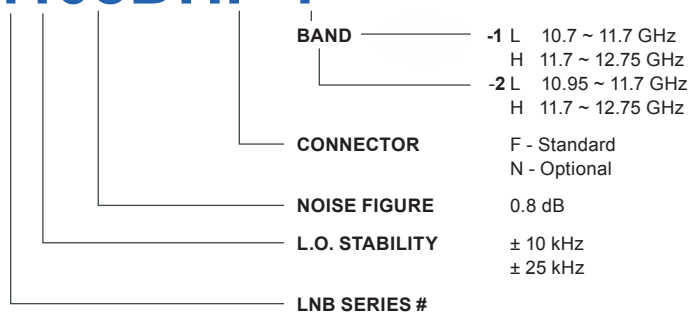
	Band 1	Band 2
<b>Frequency Band (RF Input)</b>	L 10.7 ~ 11.7 GHz H 11.7 ~ 12.75 GHz	10.95 ~ 11.7 GHz 11.7 ~ 12.75 GHz
<b>LO Frequency</b>	L 9.75 GHz H 10.75 GHz	10.00 GHz 10.75 GHz
<b>IF Frequency</b>	950 ~ 1950 MHz 950 ~ 2000 MHz	950 ~ 1700 MHz 950 ~ 2000 MHz

#### MECHANICAL DIAGRAM



#### HOW TO ORDER

### 1108DHF-1



#### HOW TO INSTALL

