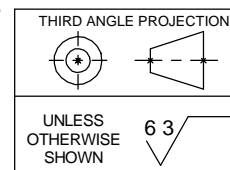
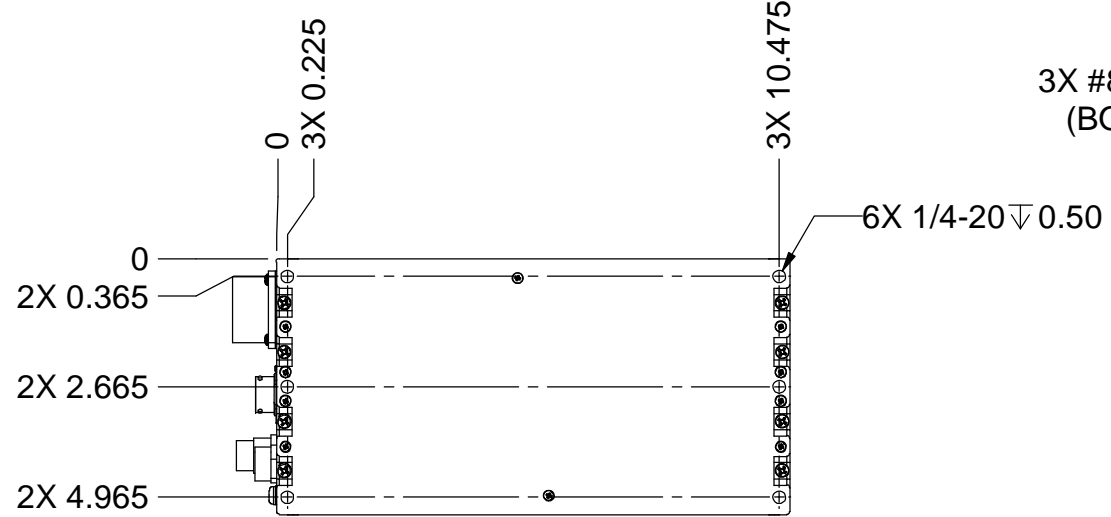
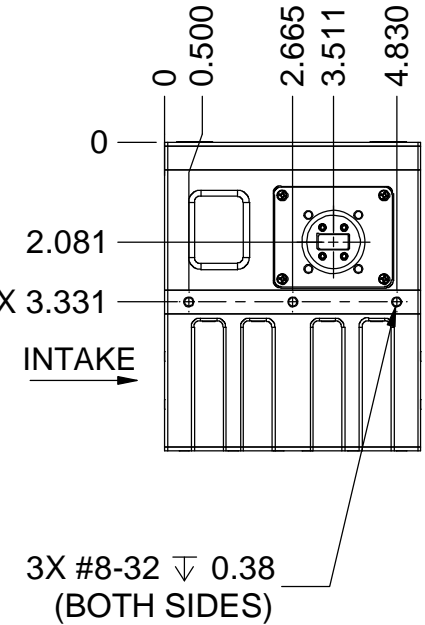
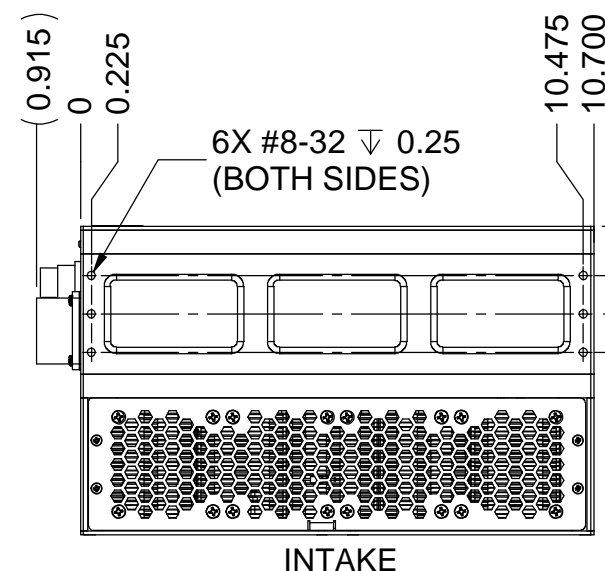
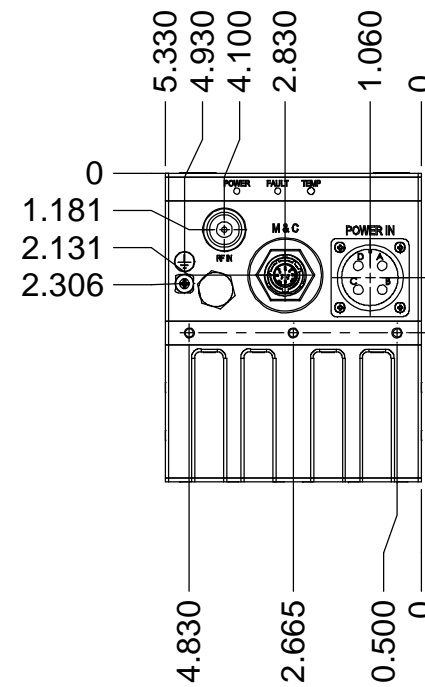
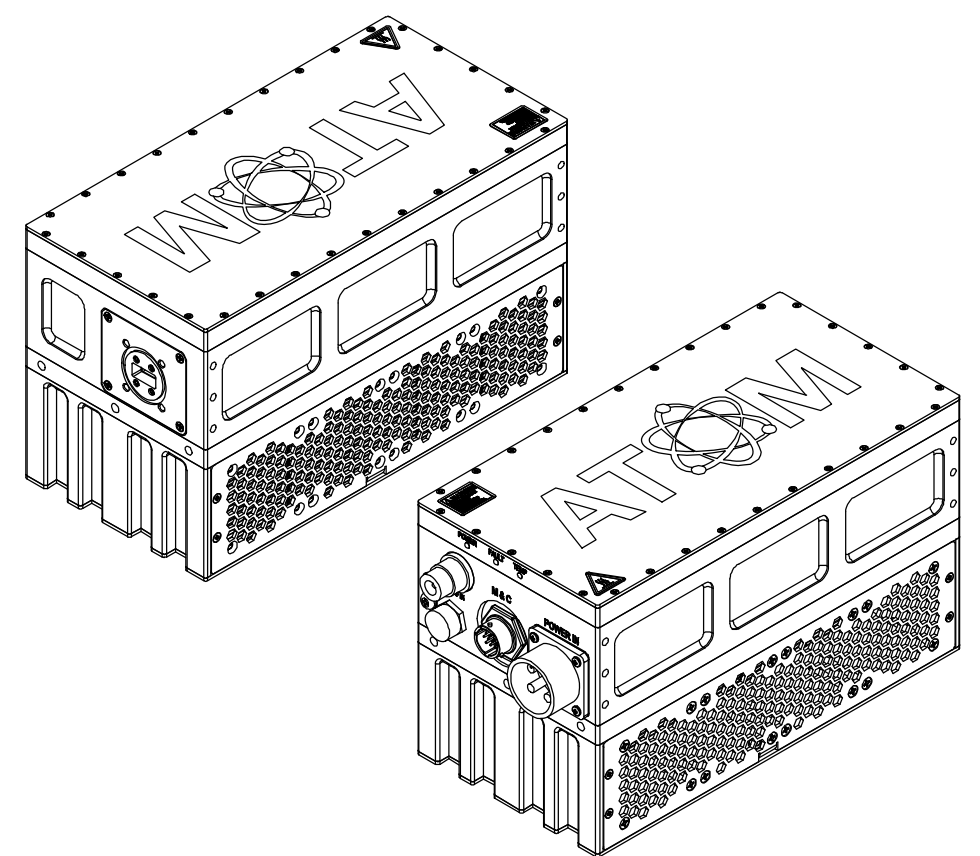
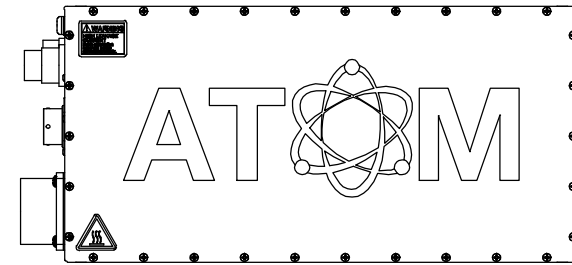


REV.	CO No.	DESCRIPTION	DWN	DATE YY/MM/DD
A1	-	INITIAL DESIGN	-	-
A2	5466	ADD MISSING DIMS	WWP	13/10/03
A2	5875	CLARIFY DIMENSIONS	JTG	15/12/04



DIMENSIONS ARE IN INCHES UNLESS OTHERWISE SHOWN				
TOLERANCE	.XX	.XXX	.XXX	ANGLES
UNLESS OTHERWISE SHOWN	±0.025"	±0.010"	±0.005"	±0.5°

CONFIDENTIAL - NOT FOR PUBLICATION
 THIS IS A CONFIDENTIAL DOCUMENT, AND IN ACCEPTING IT, THE RECIPIENT ACKNOWLEDGES THAT IT IS PROVIDED UNDER THE DISTINCT CONDITION THAT IT IS FOR HIS CONFIDENTIAL USE ONLY, AND THAT HE SHALL NOT ALLOW IT TO BE REPRODUCED OR ITS CONTENTS DISCLOSED IN ANY MANNER WHATSOEVER IN WHOLE OR IN PART WITHOUT SPECIAL PERMISSION IN WRITING FROM Norsat International Inc. ALL RIGHTS RESERVED.

DRAWN	WWP
DATE	13/09/26
ENGINEER	MJS
ENGINEER	JTG
CHECKED	JTG
APPROVED	-
NEXT ASSEMBLY	-
©2015 Norsat International Inc.	

Norsat International Inc.
 110 - 4020 Viking Way, Richmond, B.C., Canada V6V 2L4
 Tel: 604.821.2800 Fax: 604.821.2801

Customer Service Drawing
100W BUC with DC Input
WR62/75 Output

Part No.	VARIOUS	DWG No.	PUB000533	SIZE	B
SCALE:	1:4	SHEET	1 OF 1		