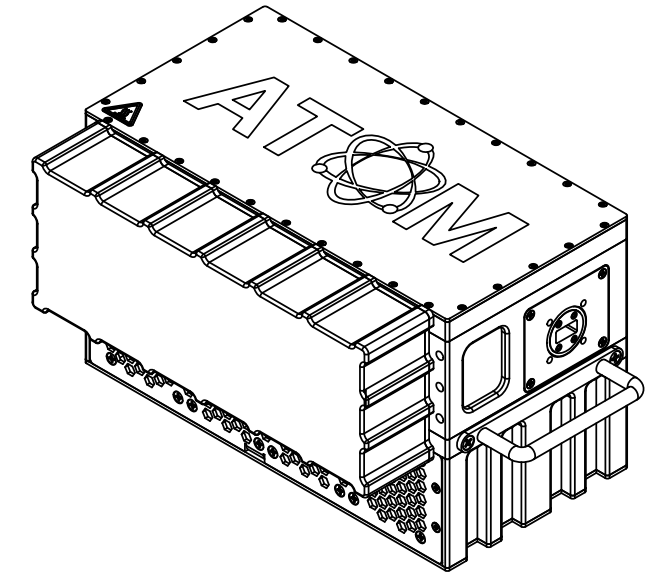
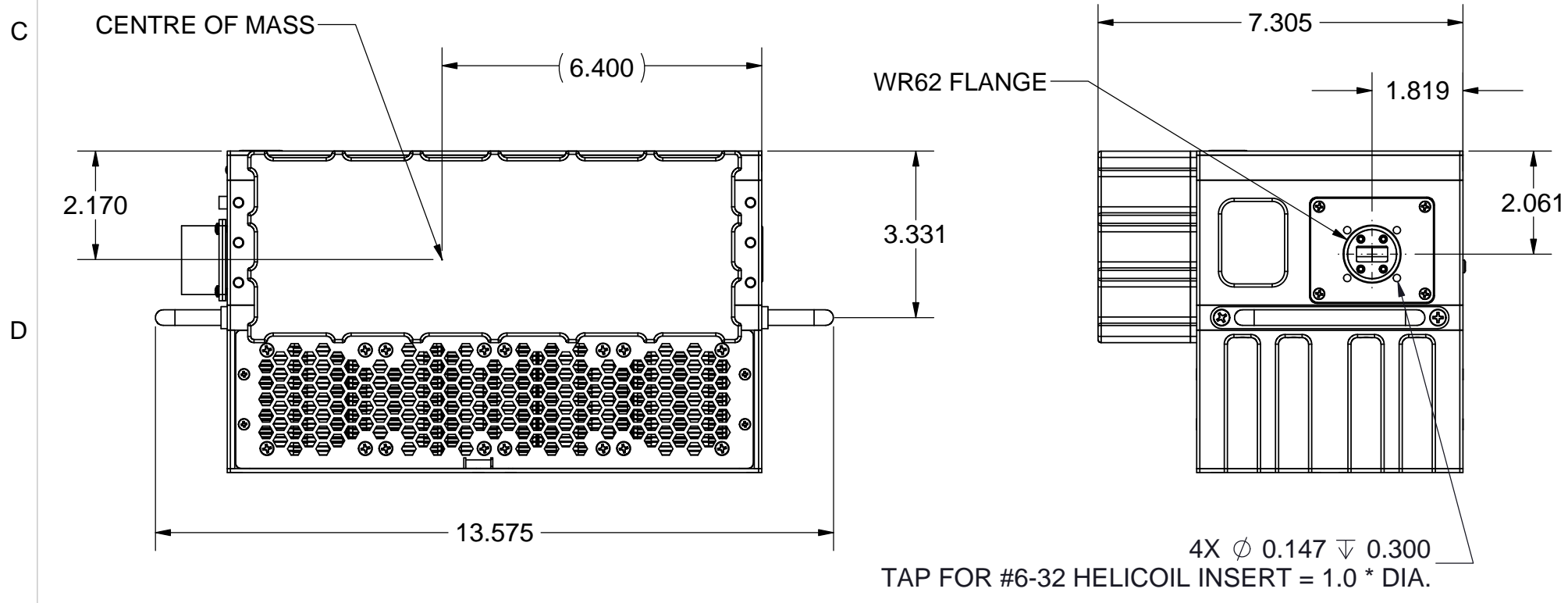
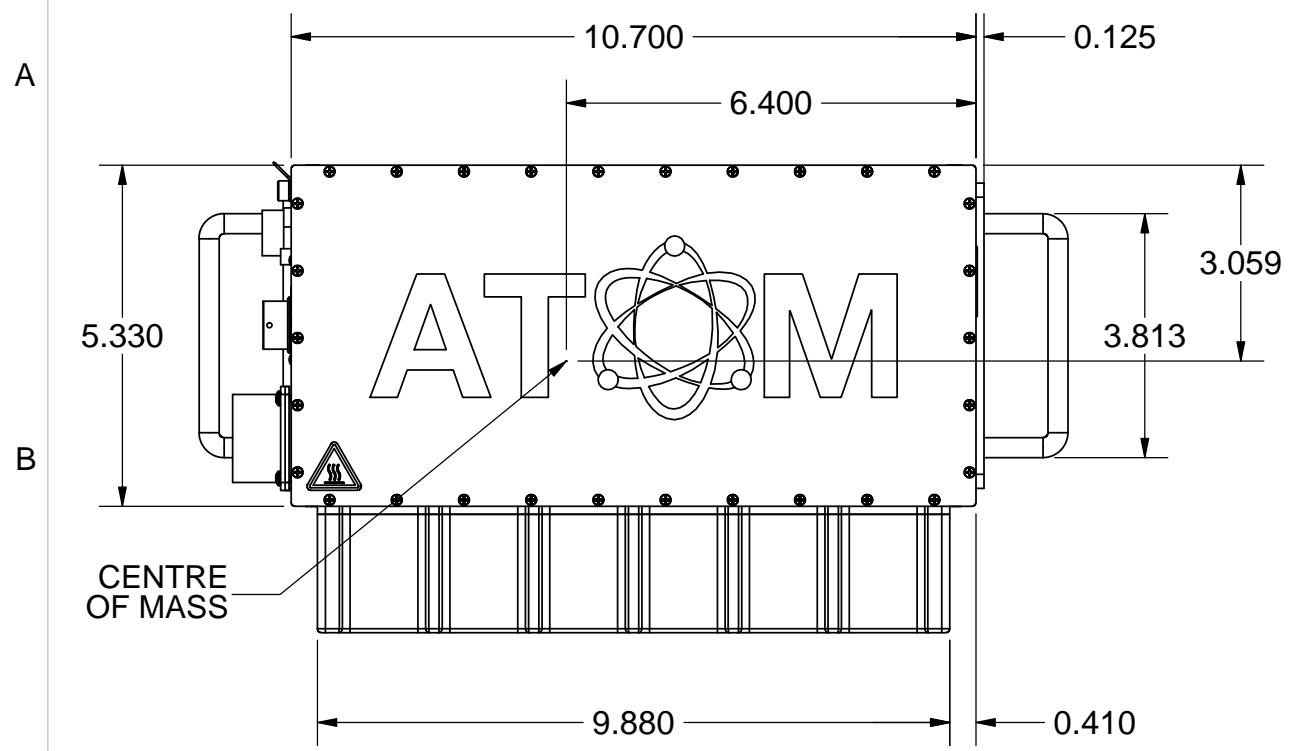


REV.	CO No.	DESCRIPTION	DWN	DATE YY/MM/DD
A1	5693	INITIAL DESIGN	-	-



Notes:

1. Tolerances shown are for reference only.
2. All components, materials, and processes to be fully RoHS compliant

THIRD ANGLE PROJECTION		DIMENSIONS ARE IN INCHES UNLESS OTHERWISE SHOWN				
UNLESS OTHERWISE SHOWN	6.3	TOLERANCE	.XX	.XXX	.XXX	ANGLES
		UNLESS OTHERWISE SHOWN	$\pm 0.010"$	$\pm 0.003"$	$\pm 0.001"$	$\pm 0.5^\circ$
CONFIDENTIAL - NOT FOR PUBLICATION						
<small>THIS IS A CONFIDENTIAL DOCUMENT, AND IN ACCEPTING IT, THE RECIPIENT ACKNOWLEDGES THAT IT IS PROVIDED UNDER THE DISTINCT CONDITION THAT IT IS FOR HIS CONFIDENTIAL USE ONLY, AND THAT HE SHALL NOT ALLOW IT TO BE REPRODUCED OR ITS CONTENTS DISCLOSED IN ANY MANNER WHATSOEVER IN WHOLE OR IN PART WITHOUT SPECIAL PERMISSION IN WRITING FROM Norsat International Inc. ALL RIGHTS RESERVED.</small>						
DRAWN WWP		Norsat International Inc.				
DATE 14/03/07		110 - 4020 Viking Way, Richmond, B.C., Canada V6V 2L4 Tel: 604.821.2800 Fax: 604.821.2801				
ENGINEER MJS		Customer Service Drawing				
ENGINEER JTG		100W BUC, DC In, WR62 Out				
CHECKED -		Fan Cooled, Ext BUC				
APPROVED -						
NEXT ASSEMBLY -		Part No. VARIOUS	DWG No. PUB000570	SIZE B		
©2013 Norsat International Inc.		SCALE: 1:3	SHEET 1 OF 2			

1

2

3

4

5

6

7

REV.	CO No.	DESCRIPTION	DWN	DATE YY/MM/DD
A1	5693	INITIAL DESIGN	-	-

A

B

C

D

E

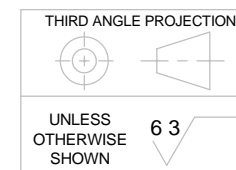
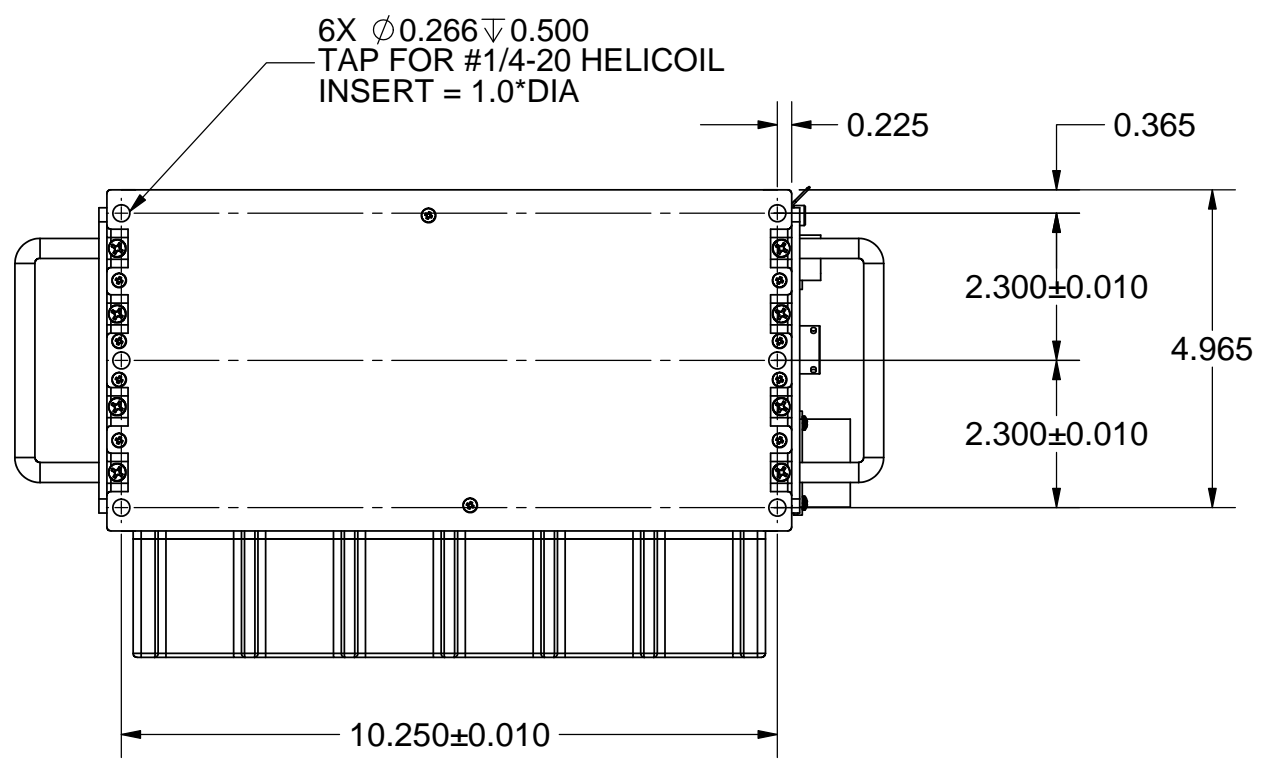
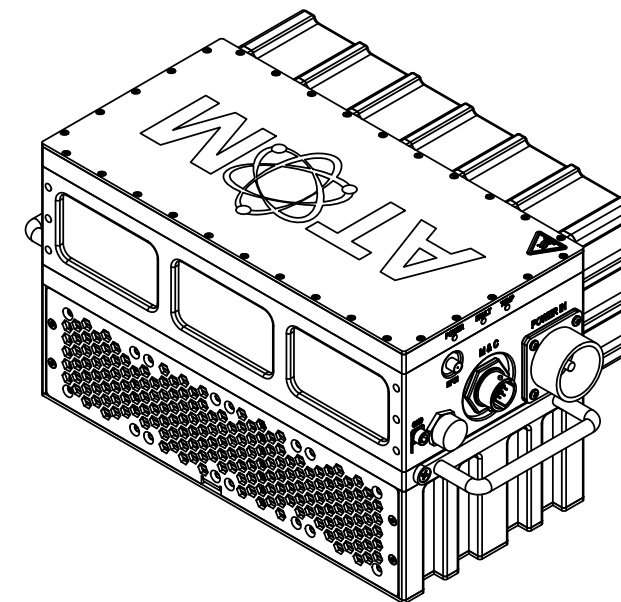
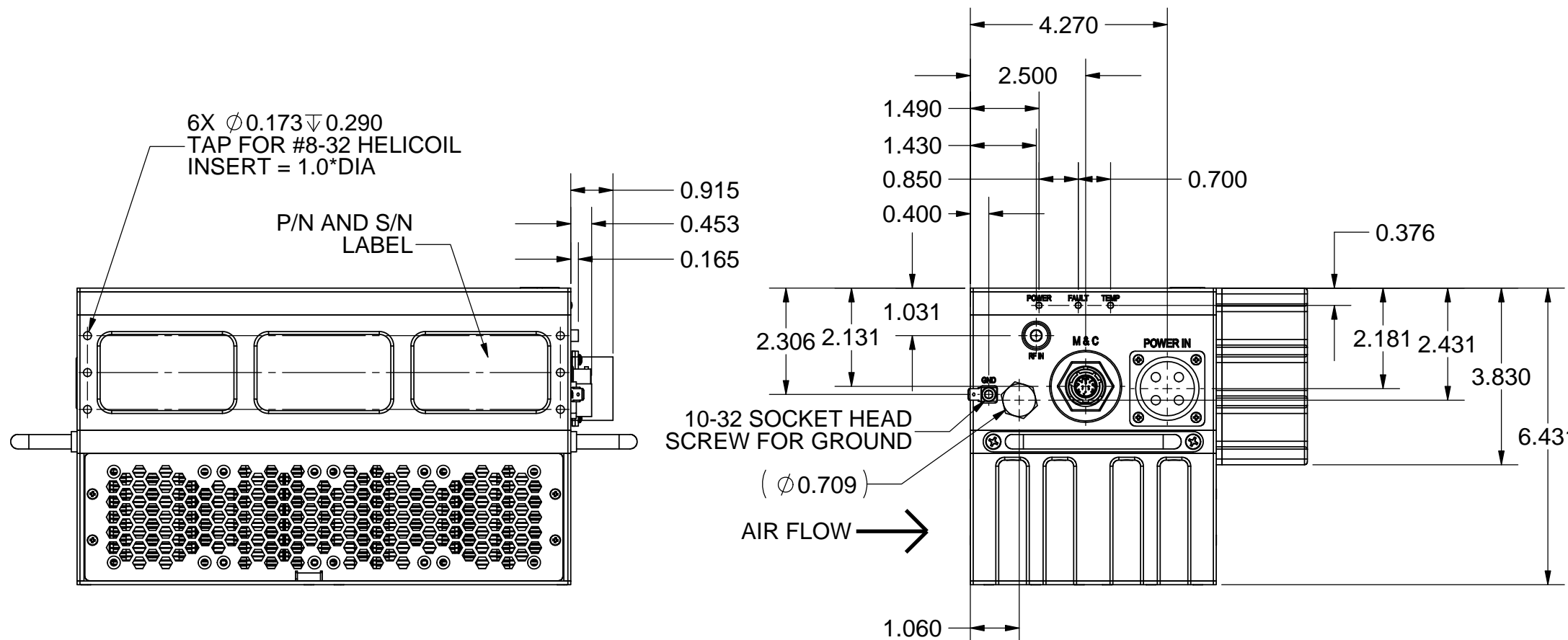
A

B

C

D

E



UNLESS OTHERWISE SHOWN
6.3

DRAWN
WWP

DATE
14/03/07

ENGINEER
MJS

ENGINEER
JTG

CHECKED
-

APPROVED
-

NEXT ASSEMBLY
-

©2014 Norsat International Inc.

DIMENSIONS ARE IN INCHES UNLESS OTHERWISE SHOWN

TOLERANCE	.XX	.XXX	.XXX	ANGLES
UNLESS OTHERWISE SHOWN	±0.010"	±0.003"	±0.001"	±0.5°

CONFIDENTIAL - NOT FOR PUBLICATION
THIS IS A CONFIDENTIAL DOCUMENT, AND IN ACCEPTING IT, THE RECIPIENT ACKNOWLEDGES THAT IT IS PROVIDED UNDER THE DISTINCT CONDITION THAT IT IS FOR HIS CONFIDENTIAL USE ONLY, AND THAT HE SHALL NOT ALLOW IT TO BE REPRODUCED OR ITS CONTENTS DISCLOSED IN ANY MANNER WHATSOEVER IN WHOLE OR IN PART WITHOUT SPECIAL PERMISSION IN WRITING FROM Norsat International Inc. ALL RIGHTS RESERVED.

Norsat International Inc.
110 - 4020 Viking Way, Richmond, B.C., Canada V6V 2L4
Tel: 604.821.2800 Fax: 604.821.2801

Customer Service Drawing 100W BUC, DC In, WR62 Out Fan Cooled, Ext BUC

Part No. VARIOUS	DWG No. PUB000570	SIZE B
SCALE: 1:3	SHEET 2 OF 2	

1

2

3

4

5

6

7