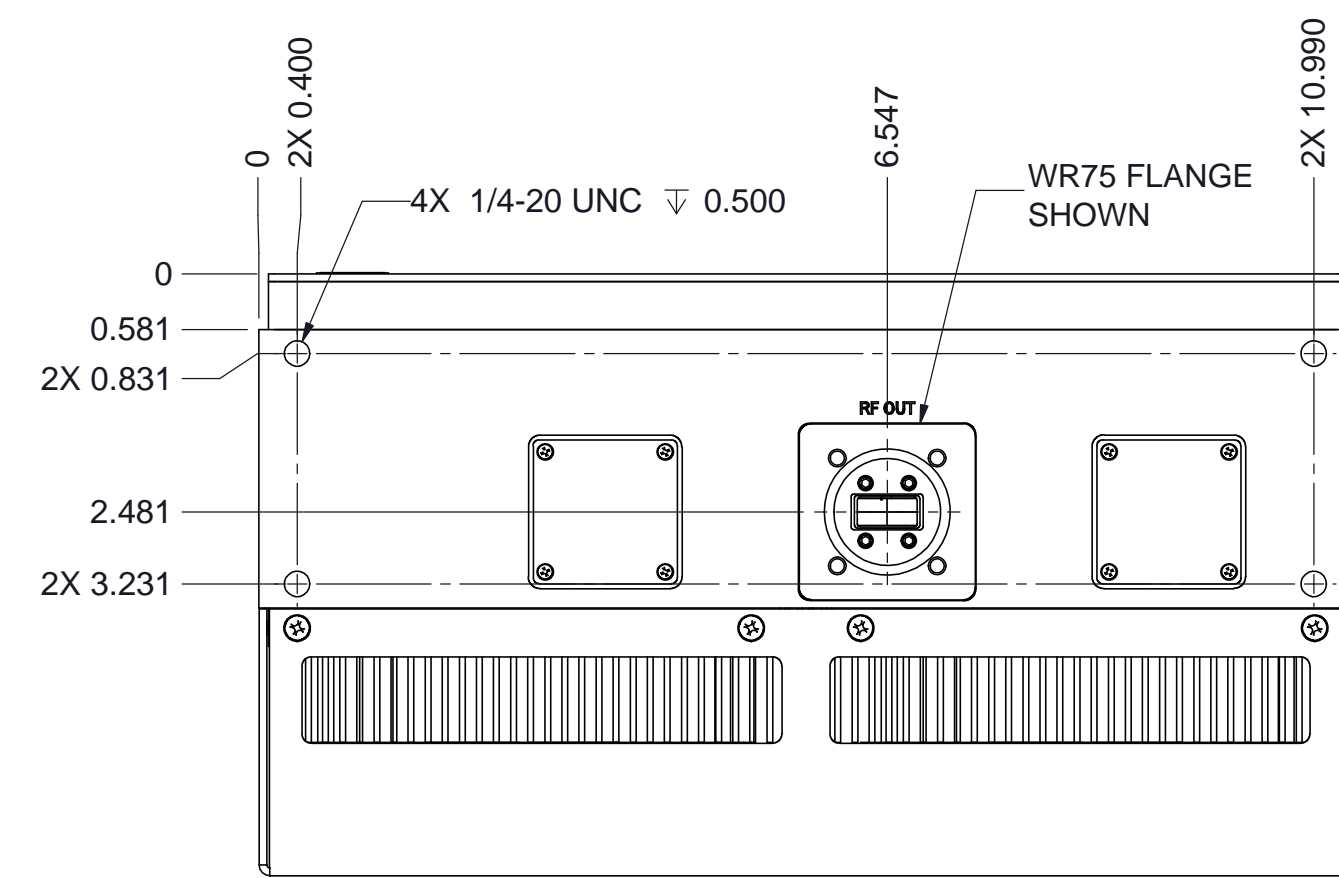
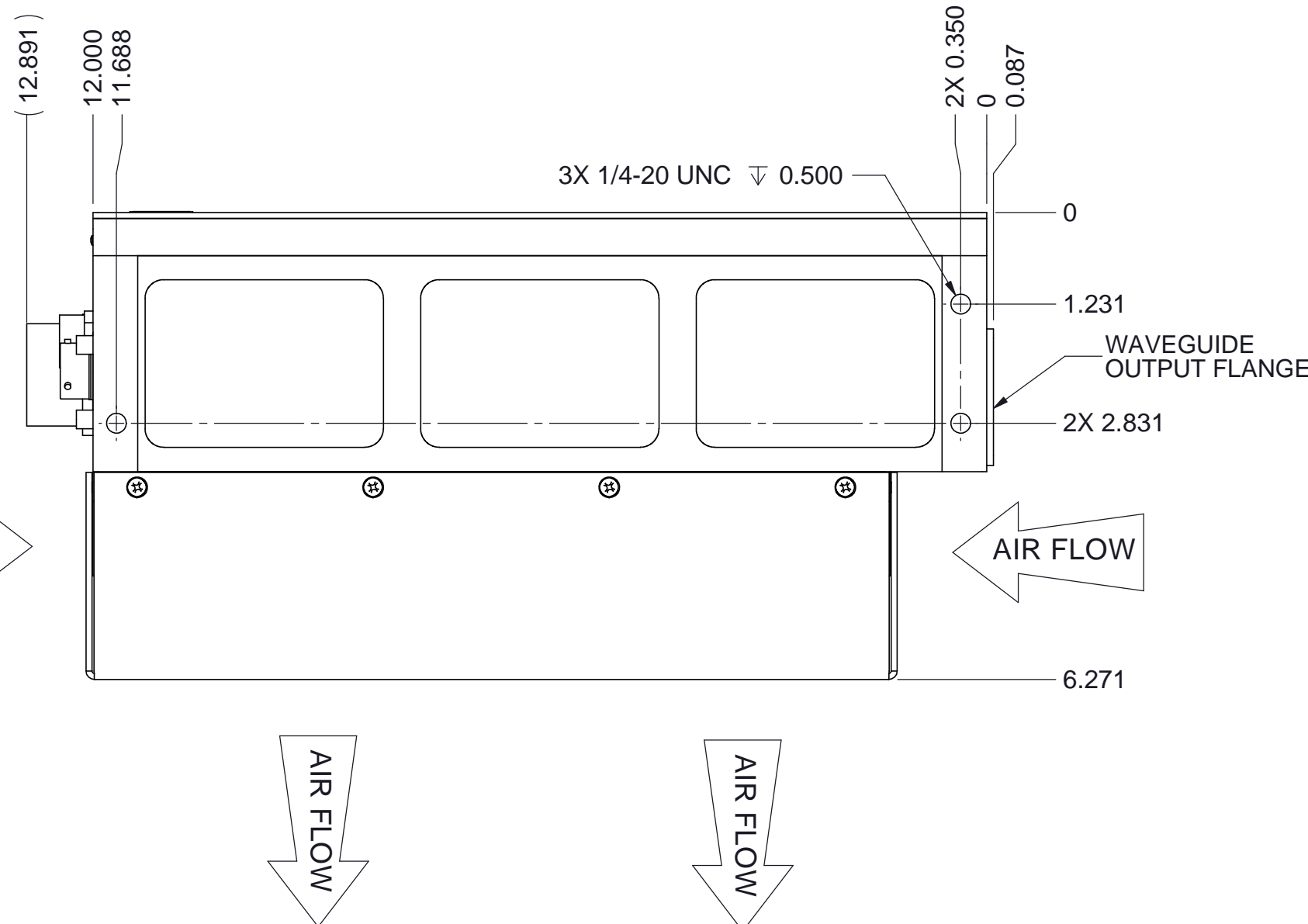
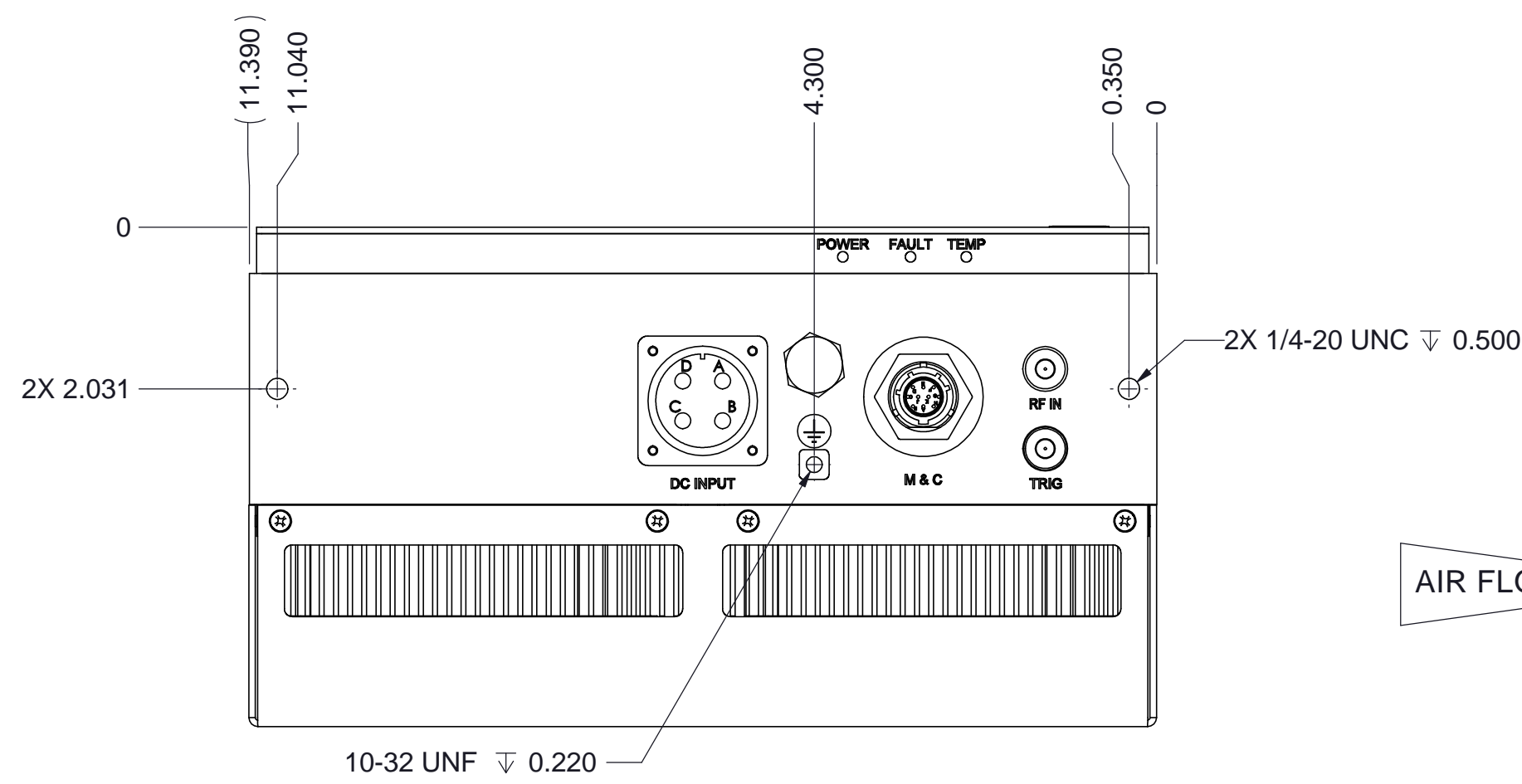
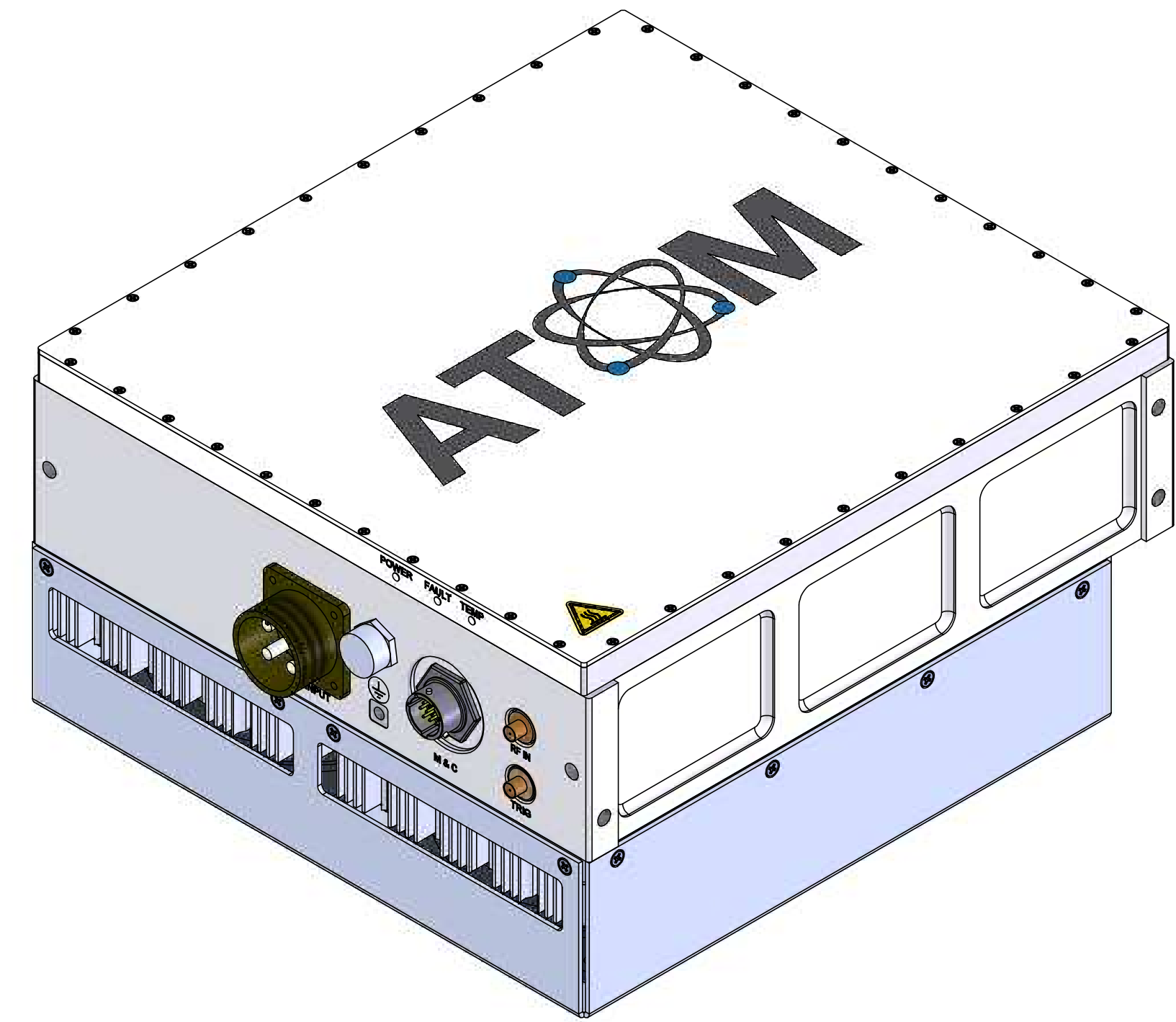
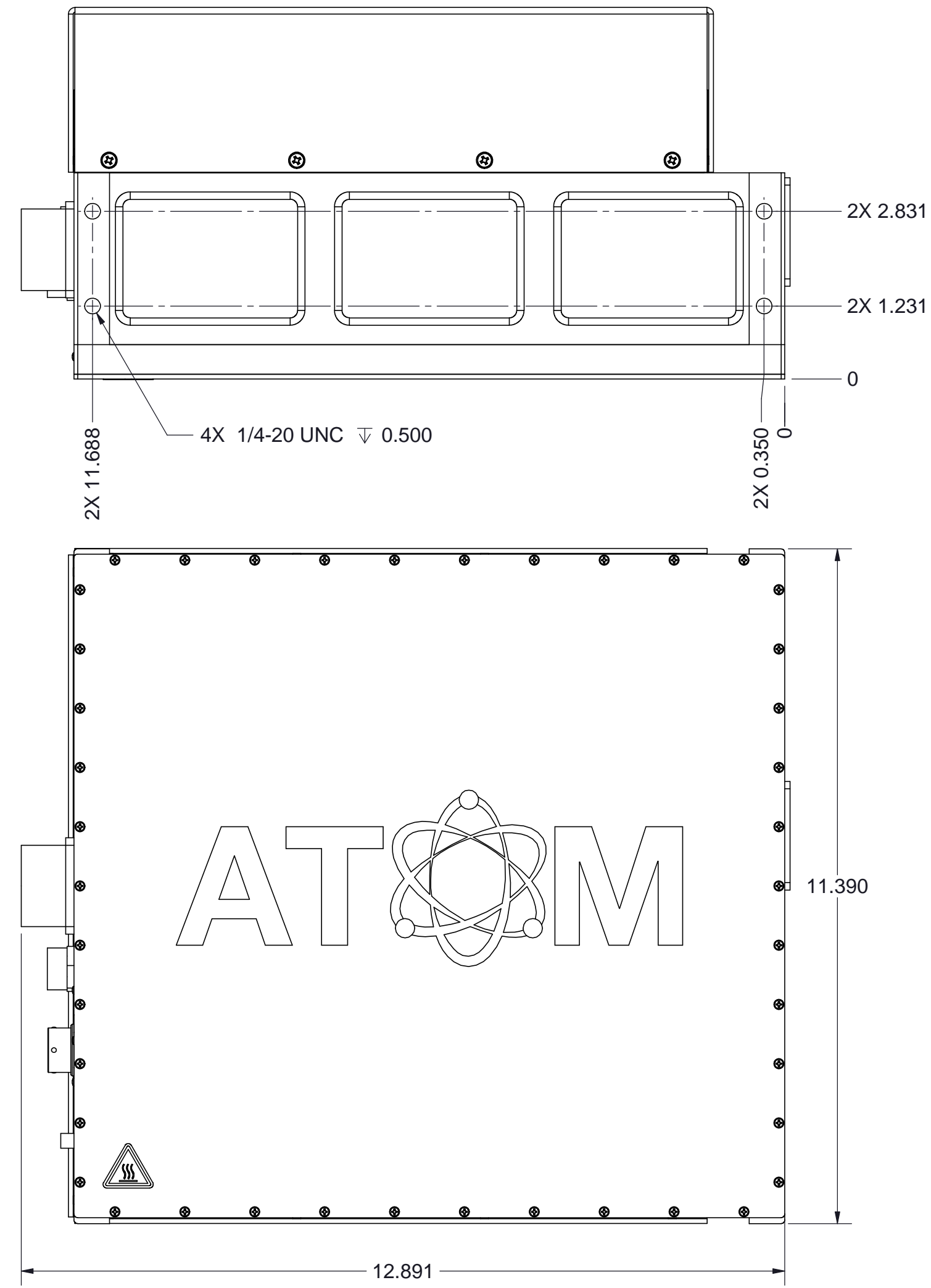
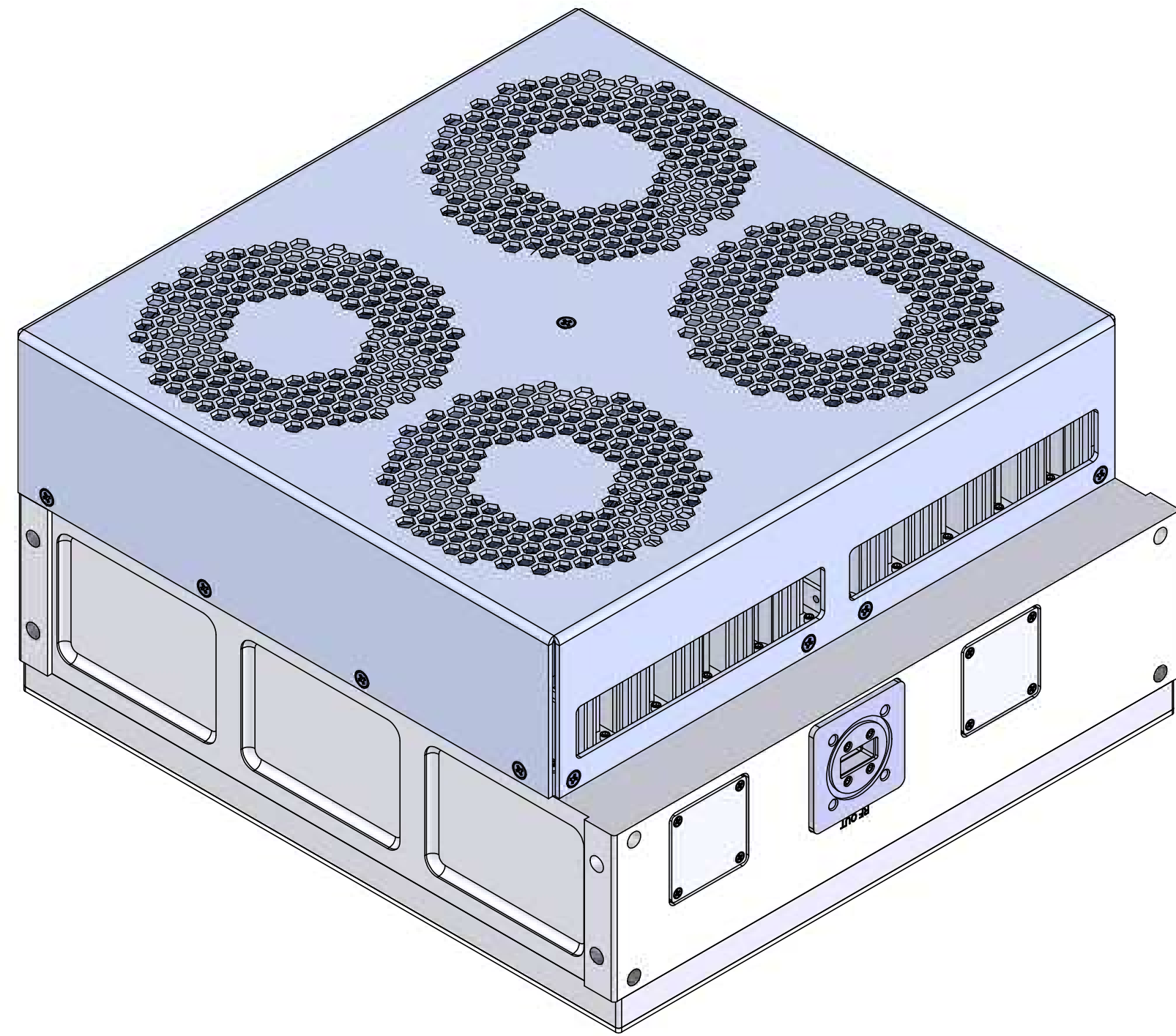


REV.	CO No.	DESCRIPTION	DWN	DATE YY/MM/DD
0	6463	PRELIMINARY RELEASE		
0.1	7003	CHANGE MOUNTING FEATURES AND CONNECTOR PLACEMENT	BSS	15/12/04
A1	7180	INITIAL NORSAT RELEASE - POSITION AND NUMBER OF MOUNTING HOLES MODIFIED	BSS	16/02/10



Notes:

- WR75 Version Shown
- Tolerances are reference only
- Mounting features, fan orientation, and connector placement subject to change

THIRD ANGLE PROJECTION		DIMENSIONS ARE IN INCHES UNLESS OTHERWISE SHOWN				
UNLESS OTHERWISE SHOWN	6.3	TOLERANCE	.XX	.XXX	.XXX	ANGLES
			±0.025"	±0.010"	±0.005"	±0.5°
CONFIDENTIAL - NOT FOR PUBLICATION						
<small>THIS IS A CONFIDENTIAL DOCUMENT AND IN ACCEPTING IT, THE RECIPIENT ACKNOWLEDGES THAT IT IS PROVIDED UNDER THE DISTINCT CONDITION THAT IT IS FOR HIS CONFIDENTIAL USE ONLY, AND THAT HE SHALL NOT ALLOW IT TO BE REPRODUCED OR ITS CONTENTS DISCLOSED IN ANY MANNER WHATSOEVER IN WHOLE OR IN PART WITHOUT SPECIAL PERMISSION IN WRITING FROM Norsat International Inc. ALL RIGHTS RESERVED.</small>						
DRAWN	bsichani	 Norsat International Inc. 110 - 4020 Viking Way, Richmond, B.C., Canada V6V 2L4 Tel: 604.821.2800 Fax: 604.821.2801 Customer Service Drawing WR62/75, DC In, 250W PSAT Fan Cooled Atom SSPA/BUC				
DATE (YY/MM/DD)	16/02/10					
ENGINEER	MJS					
ENGINEER	BSS					
CHECKED	JTG					
APPROVED	SL					
NEXT ASSEMBLY	Part No.	DWG No.	SIZE			
	040357	PUB000642	D			
SCALE: 1:2	SHEET 1	OF 1				