



LNB

KA SELECTABLE

BAND

9000HX-O3B-ABS



TYPICAL SPECIFICATIONS

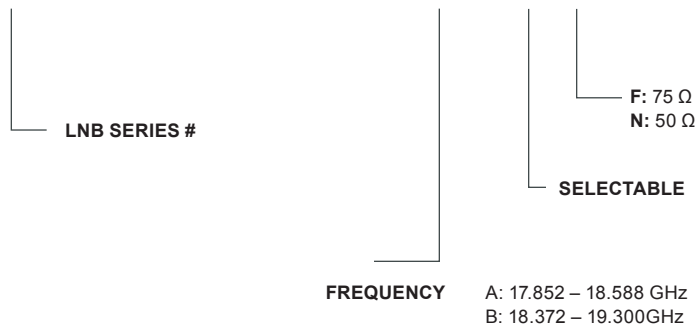
Noise figure	1.6 dB max.
L.O. stability	±1.5 ppm in PLL
Phase noise	-70dBc @ 1KHz -80dBc @ 10KHz
Reference phase noise	-145dBc @ 1KHz
Input return loss	10dB min.
Output return loss	10dB min.
Conversion gain	55dB (min), 58 dB (typ)
Gain flatness over freq	± 1.5 dB in any 216MHz
Output P1dB	+5 dBm min
IP3	+15 dBm min
Spurious	In band -60 dBc Out band -45 dBc
Output impedance	50 Ω
DC power	+11 to +26V
A-band	+13V
B-band	+18V
DC current	350 mA
Input waveguide	WR42
Dimensions	114(L) x 70(W) x 39(H) mm
Weight	600g
Operating Temperature	-40 to + 60°C

FREQUENCY BANDS AVAILABLE

	O3B-A	O3B-B
Frequency Band (GHz)	17.852 to 18.588	18.372 to 19.300
LO Frequency (GHz)	16.8	17.4
IF Frequency (MHz)	1052 to 1788	972 to 1900

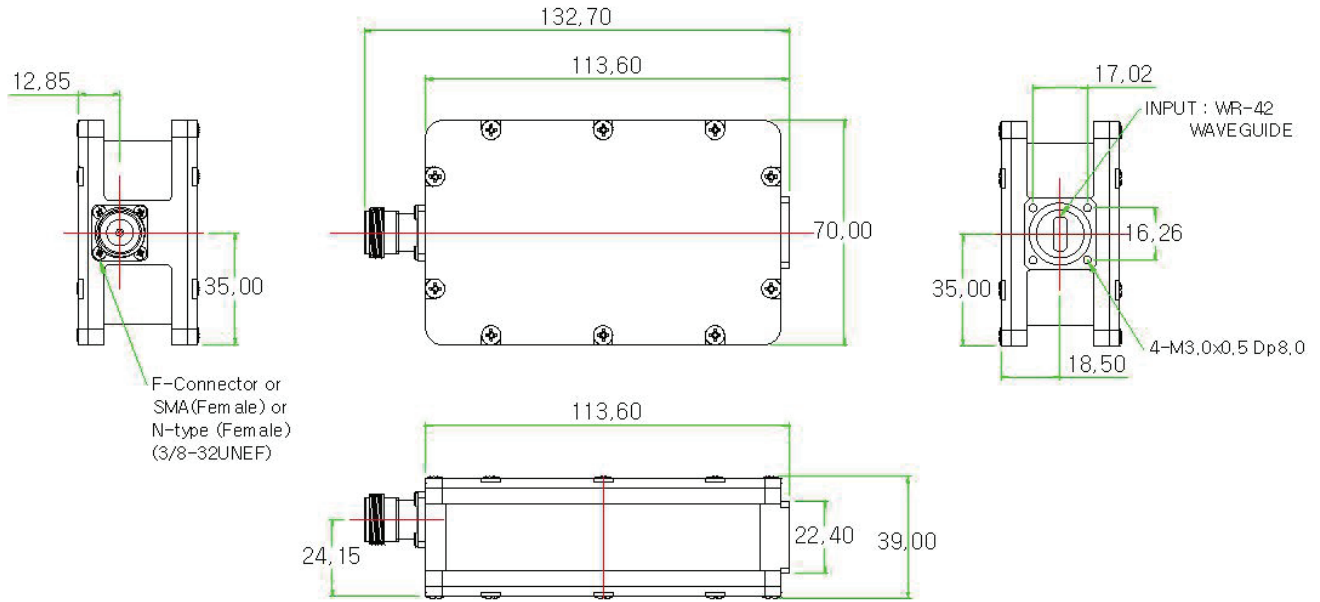
HOW TO ORDER

9000HX-O3B-ABS^N



KA SELECTABLE BAND 9000HX-O3B-ABS

MECHANICAL DIAGRAM



Norsat
International Inc.

North America
+1 800 644 4562

Asia Pacific
+1 604 821 2813

EMEA
+44 1522 730 800

South America
+1 604 821 2835

Online
www.norsat.com