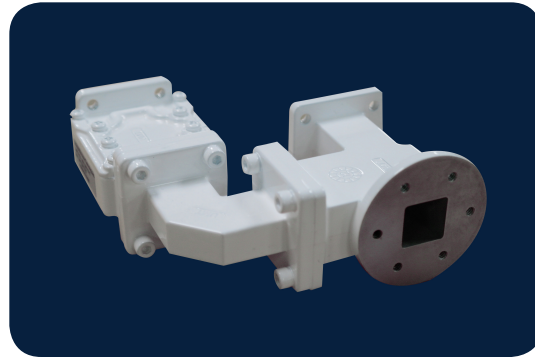




MICROWAVE COMPONENT

KU-BAND EXTENDED OMT TRANSMIT REJECT FILTER



APPLICATIONS

This is a highly integrated three port assembly, combining an OMT with a transmit reject filter and elbow. It is small, lightweight, easy to install and is aesthetically appealing.

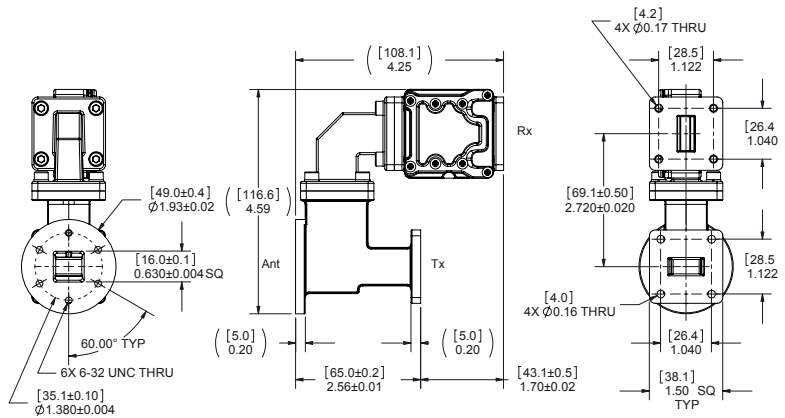
The OMT is designed for linear orthogonal polarization. The combined OMT and filter assembly provides very high isolation and is suitable for a large variety of applications in VSAT ground terminals.

The unit has a WC 75 flange at the feedhorn port, and WR 75 cover flanges at the transmitter LNB ports.

TYPICAL SPECIFICATIONS

Transmitter port frequency range	13.75 to 14.50 GHz
Transmitter port VSWR maximum	1.25 : 1
LNB port frequency range	10.70 to 12.75 GHz
LNB port VSWR maximum	1.25 : 1
Transmitter/LNB cross polarization minimum	40 dB
Transmitter port to LNB port isolation at Tx frequency minimum	85 dB
Transmitter port to feed port insertion loss maximum	0.2 dB
Feed port to LNB port insertion loss maximum	0.4 dB
Feedhorn port waveguide	WC75 with threaded holes
Transmitter port waveguide	WR75 with through holes
LNB port waveguide	WR75 with through holes
Dimensions	108 (L) x 149 (W) x 117 (H) mm (4.25 x 1.93 x 4.59 in)
Weight	390 g / 13.8 oz max

MECHANICAL DIAGRAM



HOW TO ORDER

OMT-KuE-1 — FREQUENCY 13.75 - 14.50 GHz

