



MICROWAVE COMPONENT

500W AC/DC OUTDOOR POWER SUPPLY



TYPICAL SPECIFICATIONS

Electrical Specifications

Input voltage	95 - 265 VAC
Input frequency	47 - 63 Hz
Rated current	10.4A
Output power	500 W
Output voltage	+48 V
Output voltage regulation	±2% of output voltage for input voltage and load
Output voltage ripple & noise	±1% of output voltage

Environmental Specifications

Operating temperature	-30 to +50 °C
------------------------------	---------------

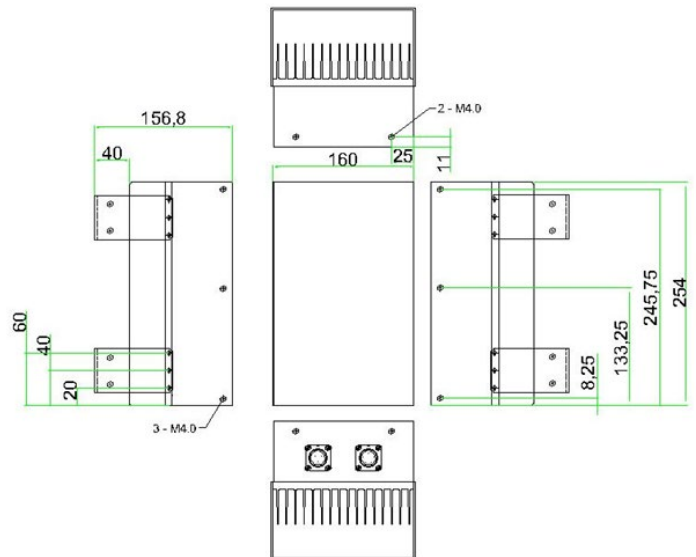
Mechanical Specifications

Input interface	MS3102A-14S-1P
Output interface	MS3102A-14S-5P
Dimensions	254 (L) x 159 (W) x 157 (H) mm (10 x 6.3 x 6.2 in)
Weight	Less than 7 kg
Color	White, Munsell N9.5
Cooling	No fan

APPLICATIONS

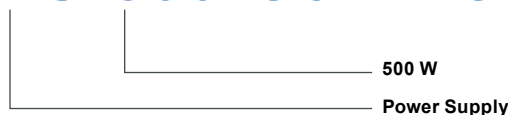
- Provide DC power for Norsat Ka 20W,40W BUC
- Rugged machined aluminum chassis
- Environmentally sealed and moisture resistant

MECHANICAL DIAGRAM



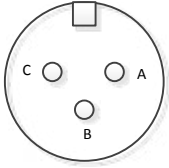
HOW TO ORDER

PS-500-O3B-ACDC



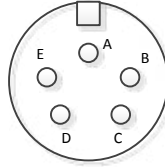
PIN DIAGRAM

AC Input
95 – 265 VAC



Pin No.	Description
A	AC_N (Neutral)
B	AC_H (Hot)
C	F.G. (Frame Ground)

DC Output
48 VDC



Pin No.	Description
A	N.C. (Not connected)
B, C	48V DC Power+
D, E	GND (DC Power-)

[Front view]



Norsat
International Inc.

North America
+1 800 644 4562

Asia Pacific
+1 604 821 2813

EMEA
+44 1522 730 800

South America
+1 604 821 2835

Online
www.norsat.com