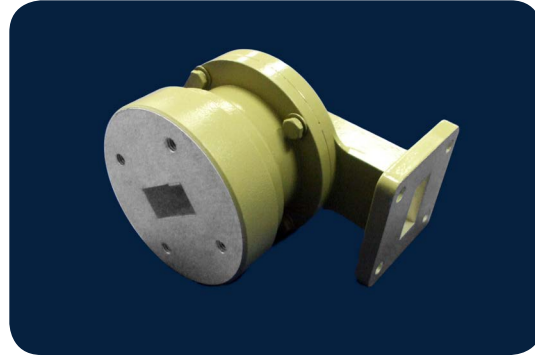




# MICROWAVE COMPONENT

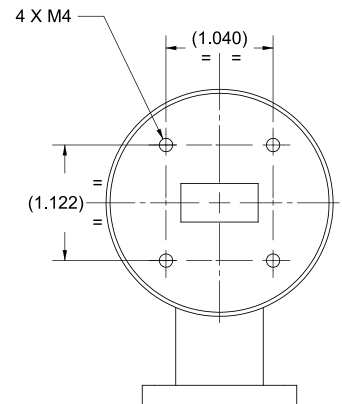
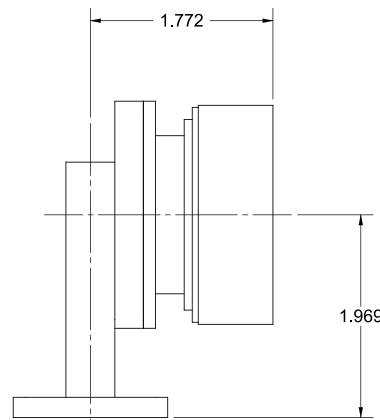
## WR75 WAVEGUIDE ROTARY JOINT



### TYPICAL SPECIFICATIONS

Frequency Range (GHz)	10.0 - 15.0
VSWR	1.25
Insertion Loss (dB) max	0.5
Return Loss (dB)	20
Bandwidth	10%
Operation Temp (°C)	-40 ~ +70
Flange Type	WR75
Waveguide Type	WR75
Material	Cu

### MECHANICAL DIAGRAM



### HOW TO ORDER

## RJ- WR75-90

