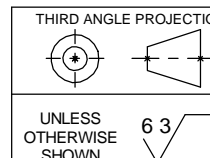
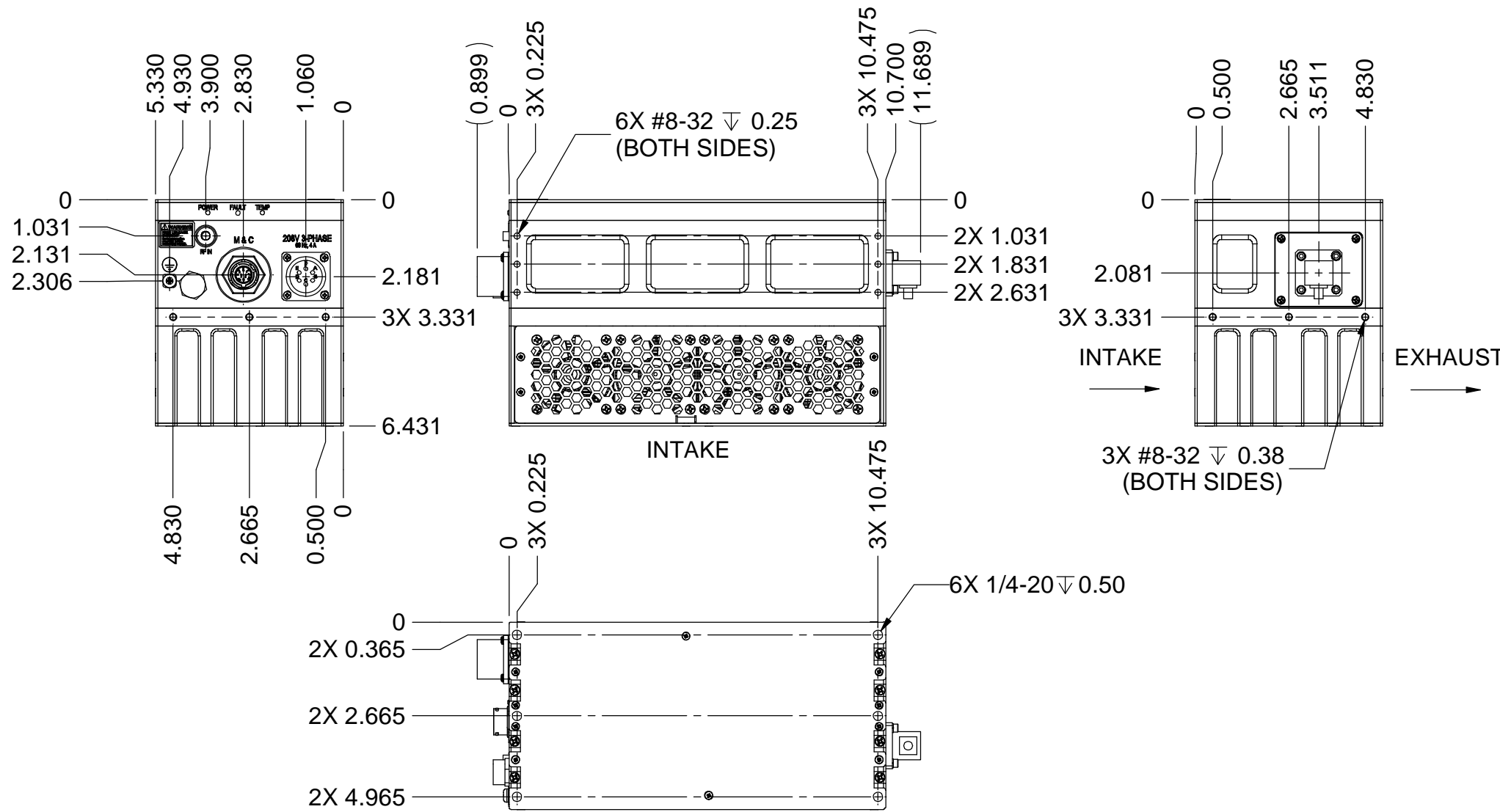
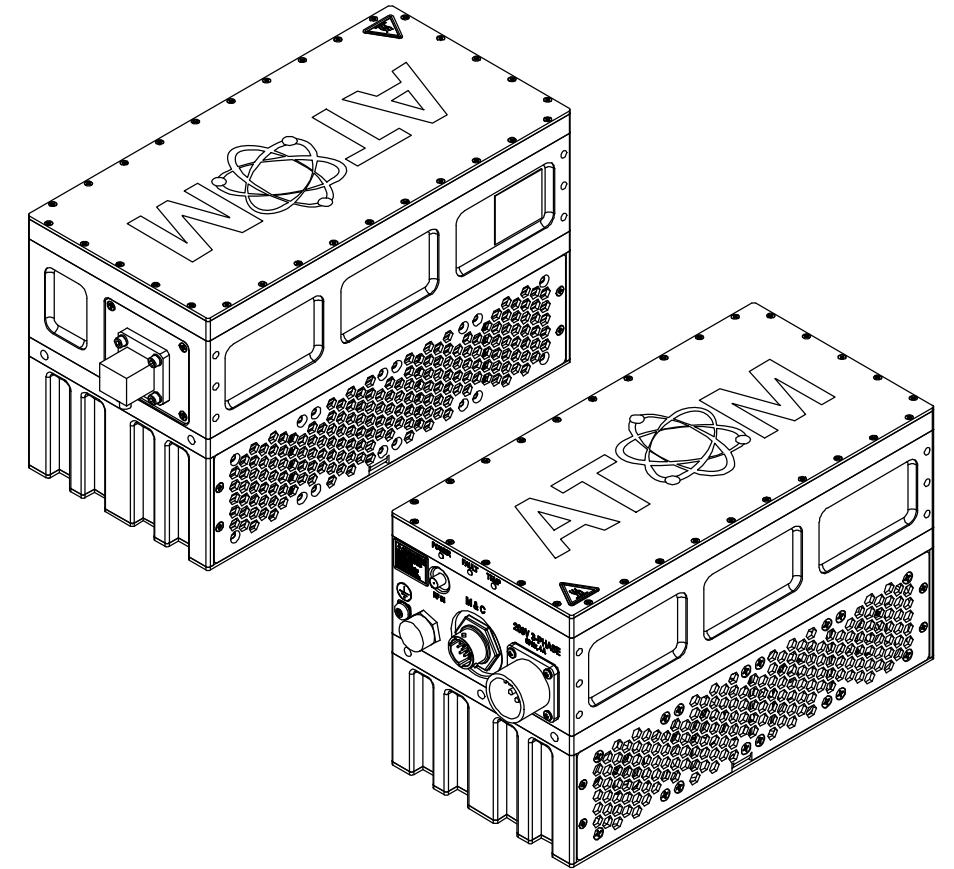
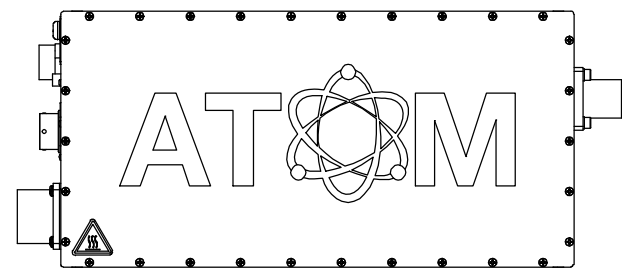


REV.	CO No.	DESCRIPTION	DWN	DATE YY/MM/DD
A1	5411	INITIAL DESIGN	-	-
A2	5875	CLARIFY DIMENSIONS	JTG	15/12/04



DIMENSIONS ARE IN INCHES UNLESS OTHERWISE SHOWN				
TOLERANCE UNLESS OTHERWISE SHOWN	.XX	.XXX	.XXX	ANGLES
	±0.025"	±0.010"	±0.005"	±0.5°

UNLESS OTHERWISE SHOWN

DRAWN
JTG

DATE
13/09/16

ENGINEER
MJS

ENGINEER
JTG

CHECKED
-

APPROVED
-

NEXT ASSEMBLY
-

CONFIDENTIAL - NOT FOR PUBLICATION
THIS IS A CONFIDENTIAL DOCUMENT, AND IN ACCEPTING IT, THE RECIPIENT ACKNOWLEDGES THAT IT IS PROVIDED UNDER THE DISTINCT CONDITION THAT IT IS FOR HIS CONFIDENTIAL USE ONLY, AND THAT HE SHALL NOT ALLOW IT TO BE REPRODUCED OR ITS CONTENTS DISCLOSED IN ANY MANNER WHATSOEVER IN WHOLE OR IN PART WITHOUT SPECIAL PERMISSION IN WRITING FROM Norsat International Inc. ALL RIGHTS RESERVED.

Norsat International Inc.
110 - 4020 Viking Way, Richmond, B.C., Canada V6V 2L4
Tel: 604.821.2800 Fax: 604.821.2801

**Customer Service Drawing
100W SSPA
with AC Input & SMA Output**

Part No.	DWG No.	SIZE
037712	PUB000526	B

©2015 Norsat International Inc. SCALE: 1:4 SHEET 1 OF 1