

1

2

3

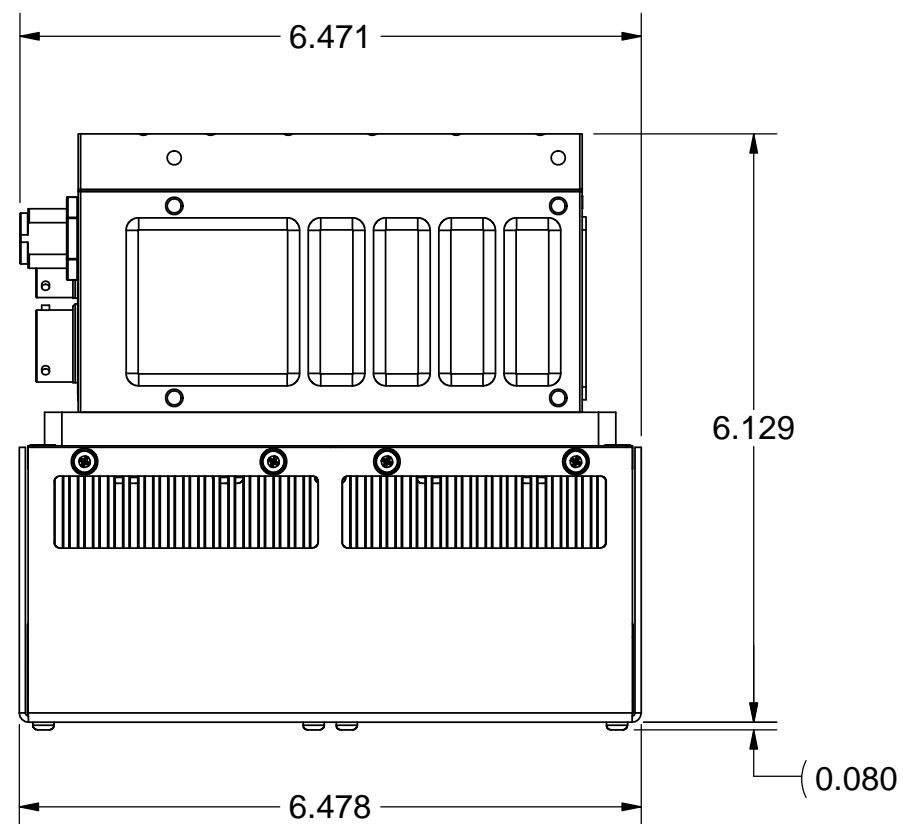
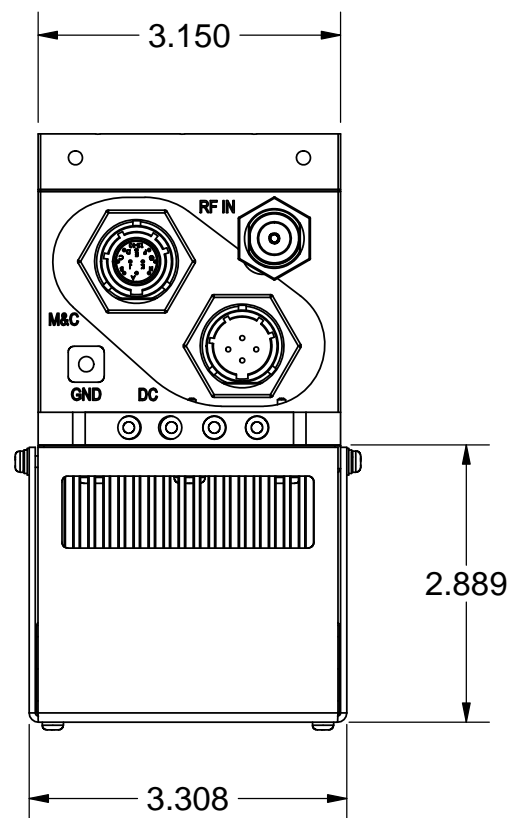
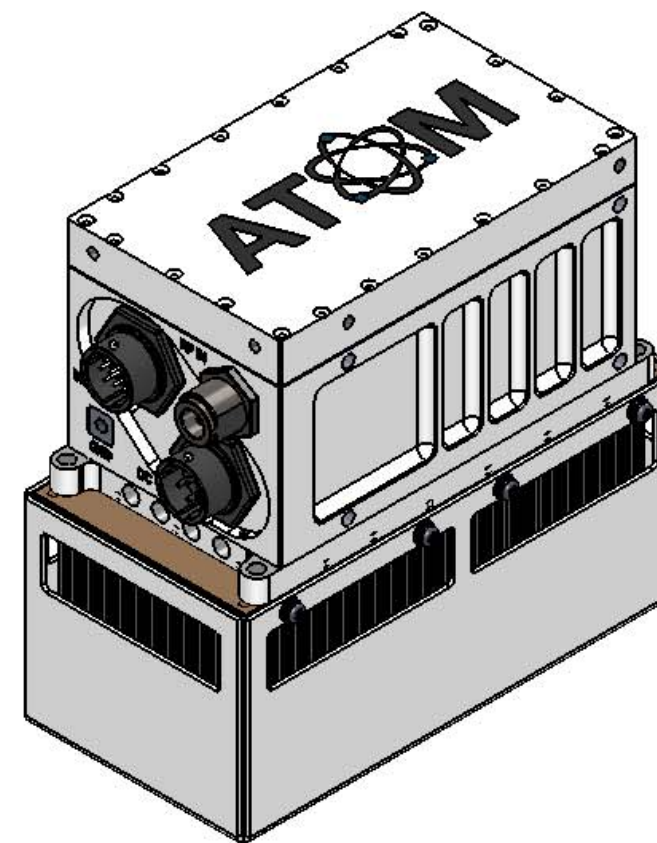
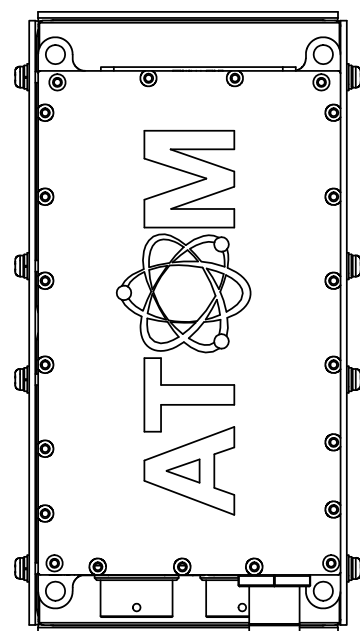
4

5

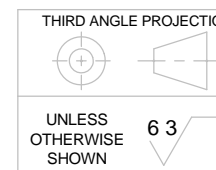
6

7

REV.	CO No.	DESCRIPTION	DWN	DATE YY/MM/DD
A1	5693	INITIAL DESIGN	-	-



TOLERANCE FOR REFERENCE ONLY



DIMENSIONS ARE IN INCHES UNLESS OTHERWISE SHOWN				
TOLERANCE UNLESS OTHERWISE SHOWN	.XX	.XXX	.XXX	ANGLES
	±0.010"	±0.003"	±0.001"	±0.5°

DRAWN WWP
DATE 14/03/07
ENGINEER MJS
ENGINEER JTG
CHECKED JTG
APPROVED -

CONFIDENTIAL - NOT FOR PUBLICATION
 THIS IS A CONFIDENTIAL DOCUMENT, AND IN ACCEPTING IT, THE RECIPIENT ACKNOWLEDGES THAT IT IS PROVIDED UNDER THE DISTINCT CONDITION THAT IT IS FOR HIS CONFIDENTIAL USE ONLY, AND THAT HE SHALL NOT ALLOW IT TO BE REPRODUCED OR ITS CONTENTS DISCLOSED IN ANY MANNER WHATSOEVER IN WHOLE OR IN PART WITHOUT SPECIAL PERMISSION IN WRITING FROM Norsat International Inc. ALL RIGHTS RESERVED.

Norsat International Inc.
 110 - 4020 Viking Way, Richmond, B.C., Canada V6V 2L4
 Tel: 604.821.2800 Fax: 604.821.2801

Customer Service Drawing
Atom BUC/SSPA
WR75, DC In, 25W

NEXT ASSEMBLY -	Part No. VARIOUS	DWG No. PUB000573	SIZE B
©2014 Norsat International Inc.	SCALE: 1:2	SHEET 1 OF 4	

1

2

3

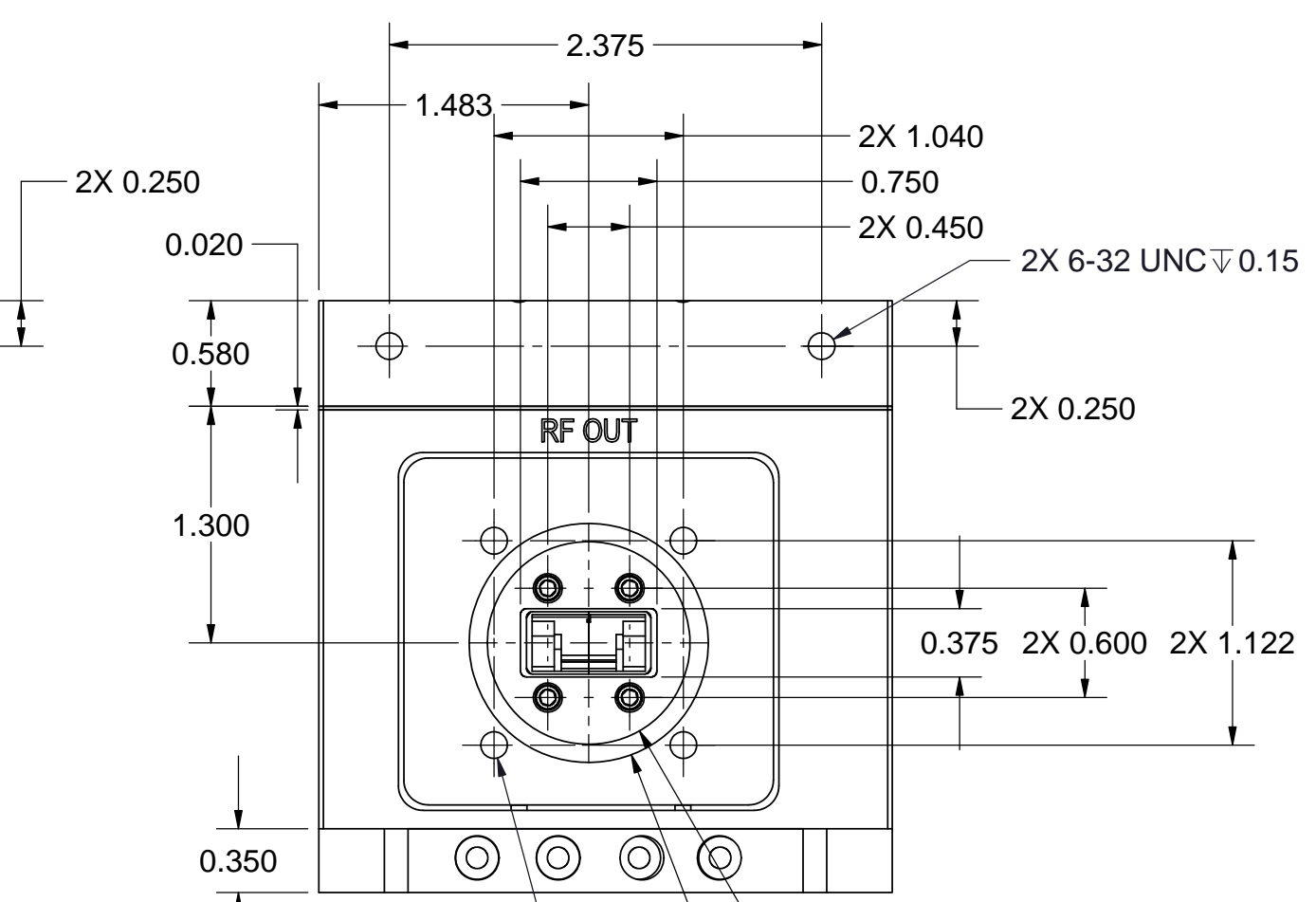
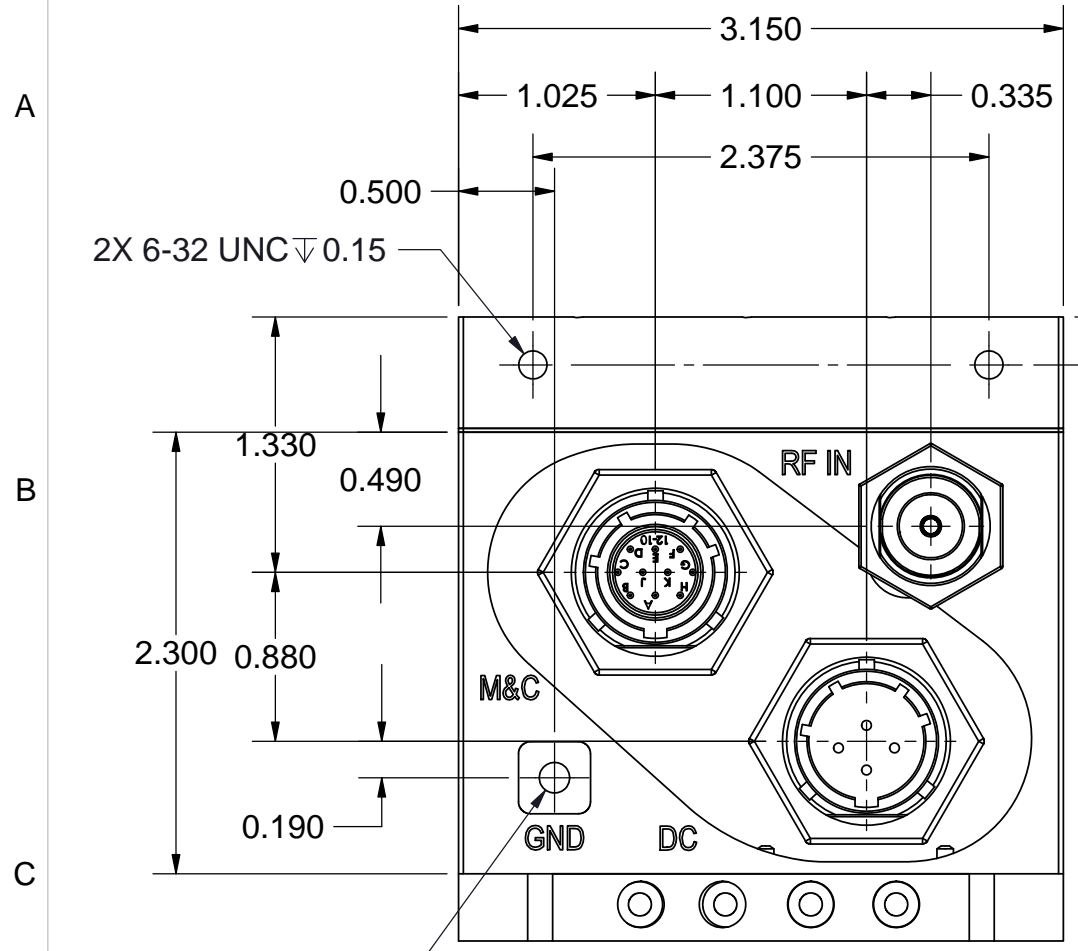
4

5

6

7

REV.	CO No.	DESCRIPTION	DWN	DATE YY/MM/DD
A1	5693	INITIAL DESIGN	-	-



TOLERANCE FOR REFERENCE ONLY

DIMENSIONS ARE IN INCHES UNLESS OTHERWISE SHOWN

TOLERANCE UNLESS OTHERWISE SHOWN	.XX	.XXX	.XXX	ANGLES
	$\pm 0.010''$	$\pm 0.003''$	$\pm 0.001''$	$\pm 0.5^\circ$

CONFIDENTIAL - NOT FOR PUBLICATION
 THIS IS A CONFIDENTIAL DOCUMENT, AND IN ACCEPTING IT, THE RECIPIENT ACKNOWLEDGES THAT IT IS PROVIDED UNDER THE DISTINCT CONDITION THAT IT IS FOR HIS CONFIDENTIAL USE ONLY, AND THAT HE SHALL NOT ALLOW IT TO BE REPRODUCED OR ITS CONTENTS DISCLOSED IN ANY MANNER WHATSOEVER IN WHOLE OR IN PART WITHOUT SPECIAL PERMISSION IN WRITING FROM Norsat International Inc. ALL RIGHTS RESERVED.



110 - 4020 Viking Way, Richmond, B.C., Canada V6V 2L4
 Tel: 604.821.2800 Fax: 604.821.2801

Customer Service Drawing
Atom BUC/SSPA
WR75, DC In, 25W

THIRD ANGLE PROJECTION
UNLESS OTHERWISE SHOWN
DRAWN WWP
DATE 14/03/07
ENGINEER MJS
ENGINEER JTG
CHECKED JTG
APPROVED -
NEXT ASSEMBLY -
©2013 Norsat International Inc.

Part No. VARIOUS	DWG No. PUB000573	SIZE B
SCALE: 1:1	SHEET 2 OF 4	

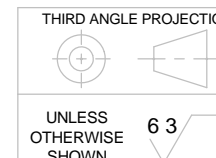
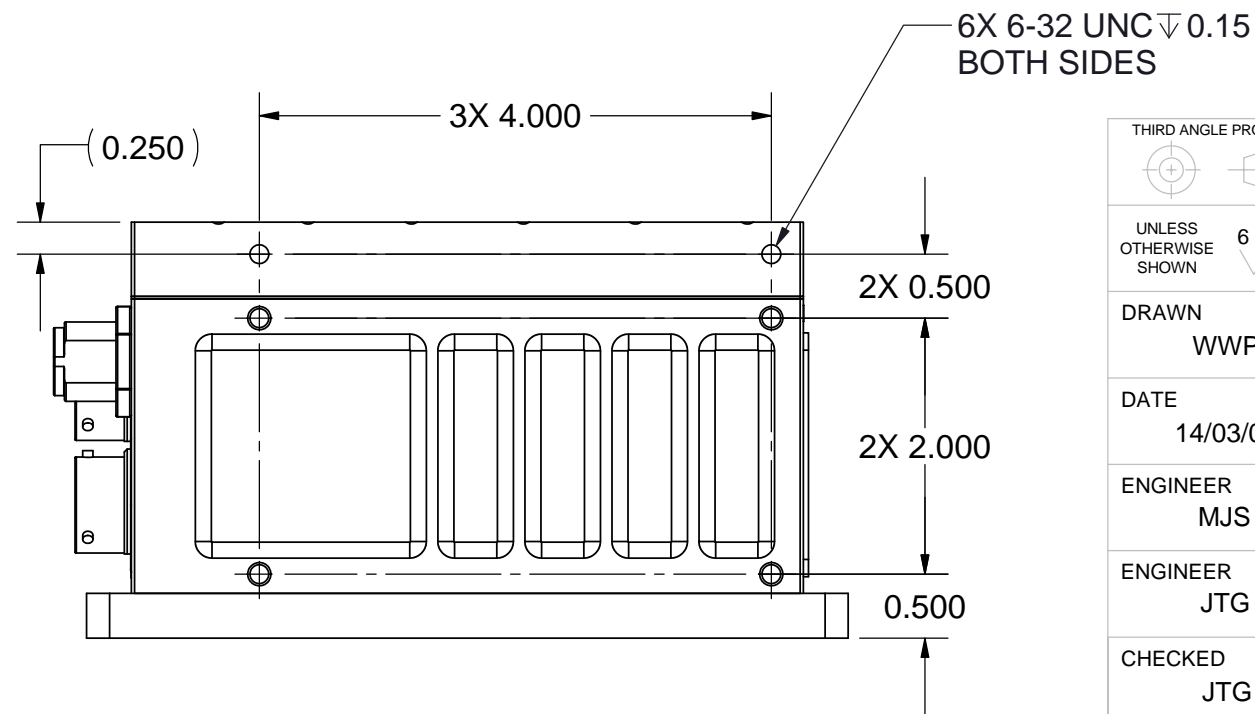
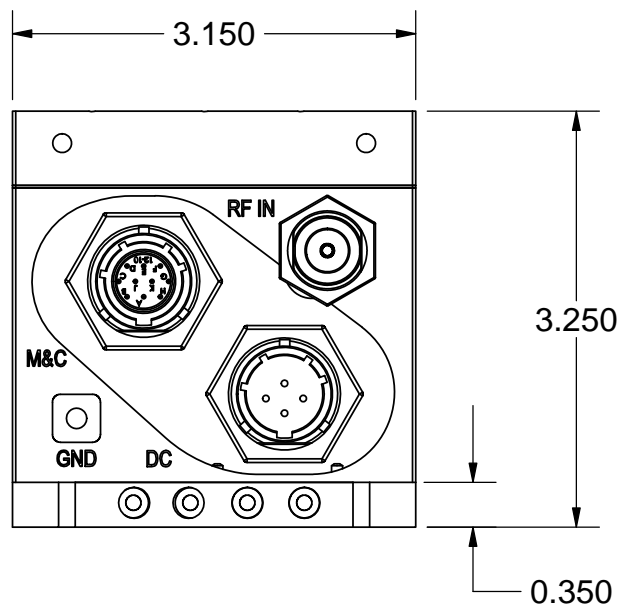
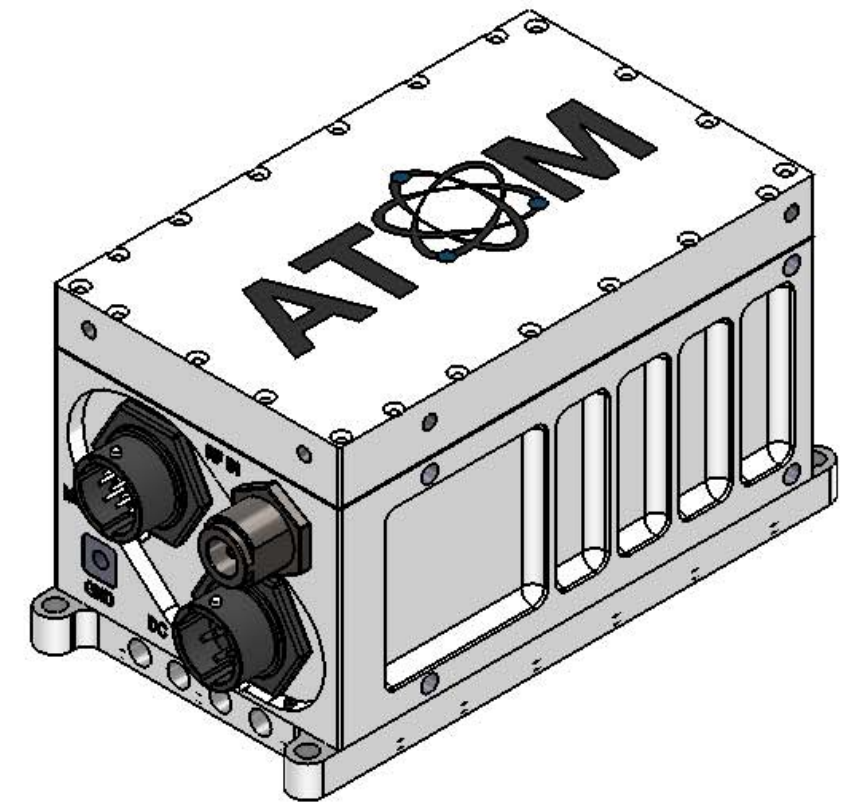
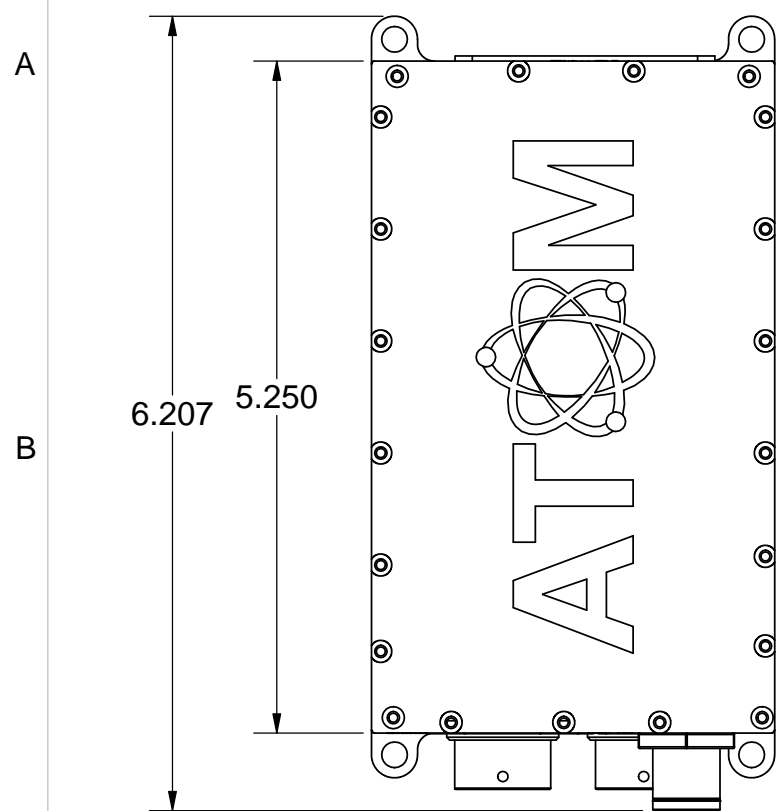
A
B
C
D
E

A
B
C
D
E

1 2 3 4 5 6 7

1 2 3 4 5 6 7

REV.	CO No.	DESCRIPTION	DWN	DATE YY/MM/DD
A1	5693	INITIAL DESIGN	-	-



UNLESS OTHERWISE SHOWN
6 3

DRAWN
WWP

DATE
14/03/07

ENGINEER
MJS

ENGINEER
JTG

CHECKED
JTG

APPROVED
-

NEXT ASSEMBLY
-

©2013
Norsat International Inc.

TOLERANCE FOR REFERENCE ONLY

DIMENSIONS ARE IN INCHES UNLESS OTHERWISE SHOWN

TOLERANCE UNLESS OTHERWISE SHOWN	.XX	.XXX	.XXX	ANGLES
	±0.010"	±0.003"	±0.001"	±0.5°

CONFIDENTIAL - NOT FOR PUBLICATION
THIS IS A CONFIDENTIAL DOCUMENT, AND IN ACCEPTING IT, THE RECIPIENT ACKNOWLEDGES THAT IT IS PROVIDED UNDER THE DISTINCT CONDITION THAT IT IS FOR HIS CONFIDENTIAL USE ONLY, AND THAT HE SHALL NOT ALLOW IT TO BE REPRODUCED OR ITS CONTENTS DISCLOSED IN ANY MANNER WHATSOEVER IN WHOLE OR IN PART WITHOUT SPECIAL PERMISSION IN WRITING FROM Norsat International Inc. ALL RIGHTS RESERVED.



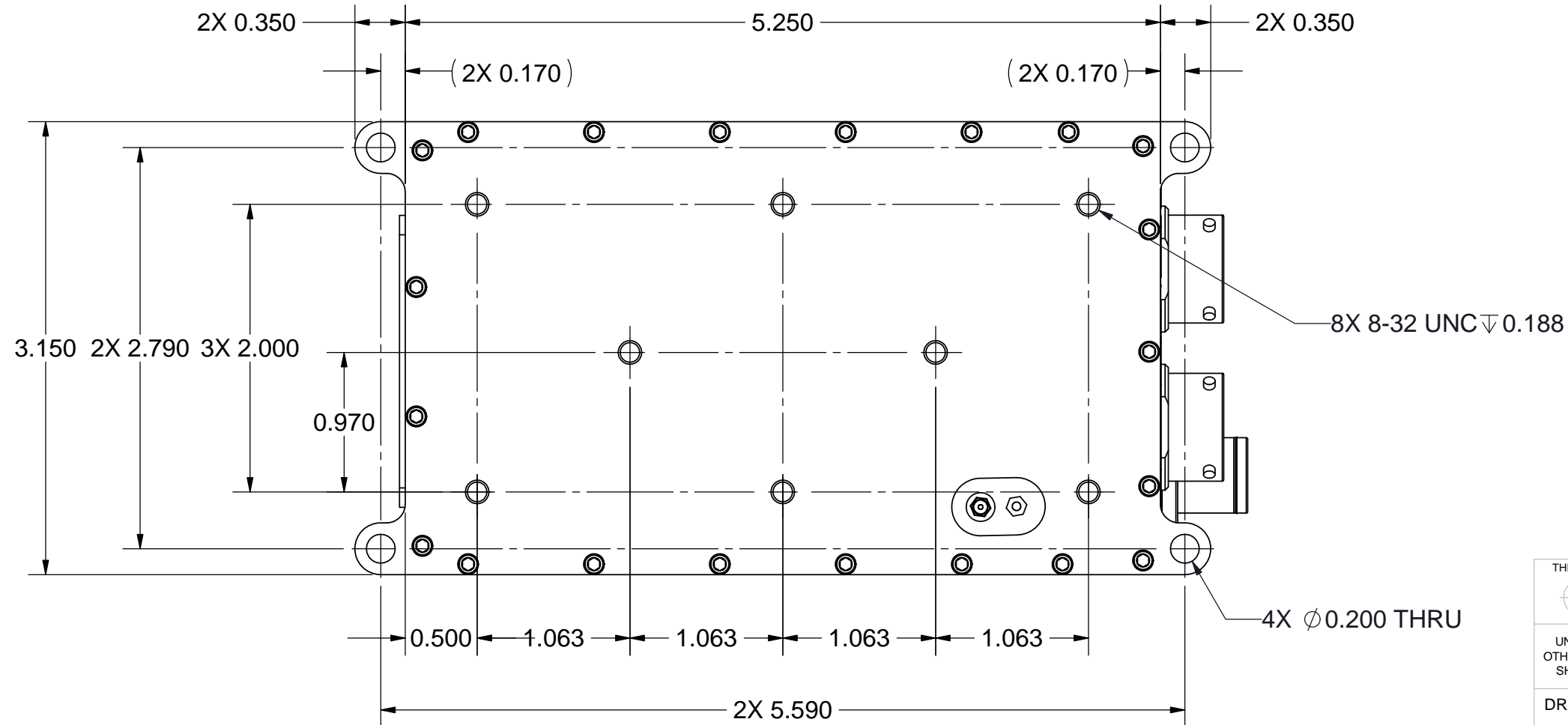
110 - 4020 Viking Way, Richmond, B.C., Canada V6V 2L4
Tel: 604.821.2800 Fax: 604.821.2801

Customer Service Drawing
Atom BUC/SSPA
WR75, DC In, 25W

Part No.	DWG No.	SIZE
VARIOUS	PUB000573	B

SCALE: 1:1.5 SHEET 3 OF 4

REV.	CO No.	DESCRIPTION	DWN	DATE YY/MM/DD
A1	5693	INITIAL DESIGN	-	-



TOLERANCE FOR REFERENCE ONLY

DIMENSIONS ARE IN INCHES UNLESS OTHERWISE SHOWN				
TOLERANCE UNLESS OTHERWISE SHOWN	.XX	.XXX	.XXX	ANGLES
	±0.010"	±0.003"	±0.001"	±0.5°

CONFIDENTIAL - NOT FOR PUBLICATION
 THIS IS A CONFIDENTIAL DOCUMENT, AND IN ACCEPTING IT, THE RECIPIENT ACKNOWLEDGES THAT IT IS PROVIDED UNDER THE DISTINCT CONDITION THAT IT IS FOR HIS CONFIDENTIAL USE ONLY, AND THAT HE SHALL NOT ALLOW IT TO BE REPRODUCED OR ITS CONTENTS DISCLOSED IN ANY MANNER WHATSOEVER IN WHOLE OR IN PART WITHOUT SPECIAL PERMISSION IN WRITING FROM Norsat International Inc. ALL RIGHTS RESERVED.



110 - 4020 Viking Way, Richmond, B.C., Canada V6V 2L4
 Tel: 604.821.2800 Fax: 604.821.2801

Customer Service Drawing
Atom BUC/SSPA
WR75, DC In, 25W

THIRD ANGLE PROJECTION
UNLESS OTHERWISE SHOWN
DRAWN WWP
DATE 14/03/07
ENGINEER MJS
ENGINEER JTG
CHECKED JTG
APPROVED -
NEXT ASSEMBLY -
©2013 Norsat International Inc.

Part No. VARIOUS	DWG No. PUB000573	SIZE B
SCALE: 1:1	SHEET 4 OF 4	