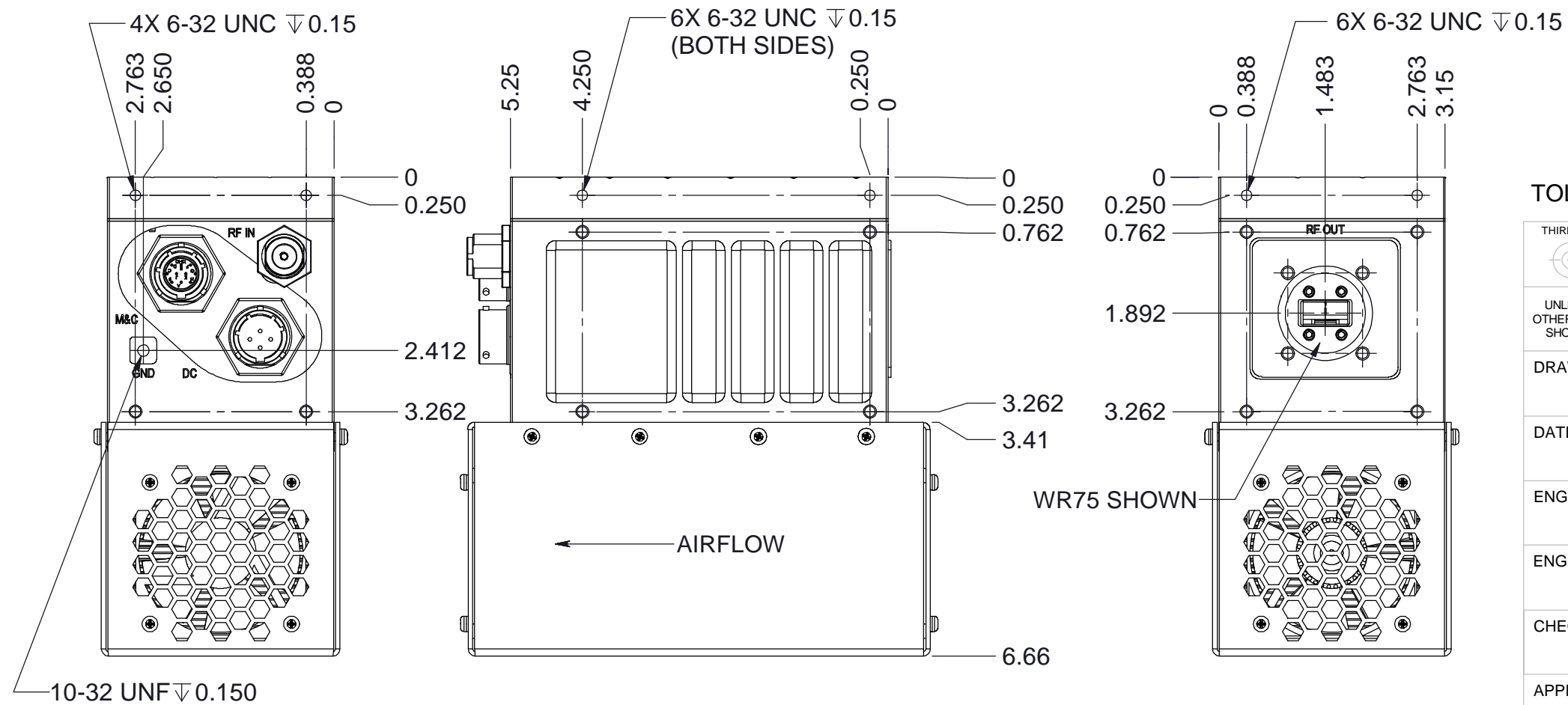
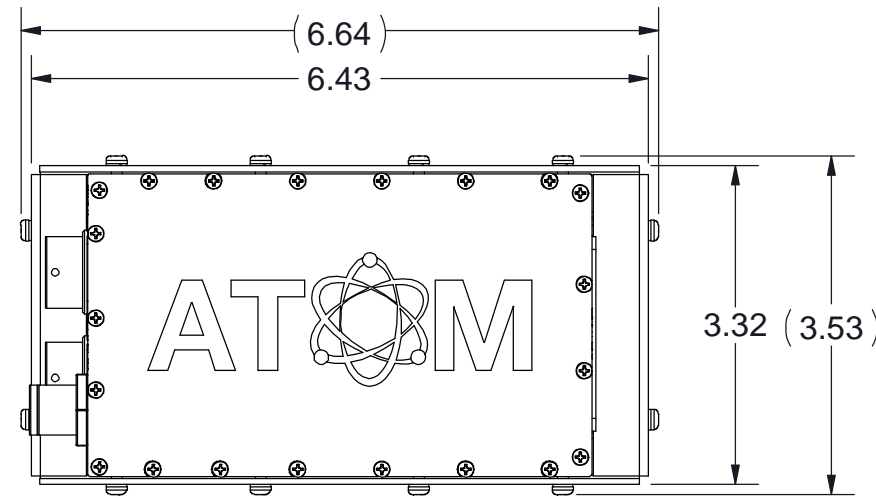


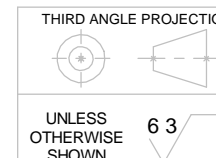
REV.	CO No.	DESCRIPTION	DWN	DATE YY/MM/DD
A1	5693	INITIAL DESIGN	-	-
B1	5875	NEW BASEPLATE WITH INTEGRATED HEATPIPE COOLER	SKL	14/10/20

A
B
C
D
E

A
B
C
D
E



TOLERANCE FOR REFERENCE ONLY



DIMENSIONS ARE IN INCHES UNLESS OTHERWISE SHOWN				
TOLERANCE	.XX	.XXX	.XXX	ANGLES
UNLESS OTHERWISE SHOWN	±0.010"	±0.003"	±0.001"	±0.5°

THIRD ANGLE PROJECTION	UNLESS OTHERWISE SHOWN
DRAWN	SKL
DATE	14/10/20
ENGINEER	MJS
ENGINEER	JTG
CHECKED	-
APPROVED	-

CONFIDENTIAL - NOT FOR PUBLICATION
 THIS IS A CONFIDENTIAL DOCUMENT, AND IN ACCEPTING IT, THE RECIPIENT ACKNOWLEDGES THAT IT IS PROVIDED UNDER THE DISTINCT CONDITION THAT IT IS FOR HIS CONFIDENTIAL USE ONLY, AND THAT HE SHALL NOT ALLOW IT TO BE REPRODUCED OR ITS CONTENTS DISCLOSED IN ANY MANNER WHATSOEVER IN WHOLE OR IN PART WITHOUT SPECIAL PERMISSION IN WRITING FROM Norsat International Inc. ALL RIGHTS RESERVED.

Norsat International Inc.
 110 - 4020 Viking Way, Richmond, B.C., Canada V6V 2L4
 Tel: 604.821.2800 Fax: 604.821.2801

Customer Service Drawing
Atom SSPA/BUC
WR62/75, DC in, 40/50W
Fan Cooled models

NEXT ASSEMBLY	Part No.	DWG No.	SIZE
-	VARIOUS	PUB000572	B
©2013 Norsat International Inc.	SCALE: 1:2	SHEET 1 OF 2	

REV.	CO No.	DESCRIPTION	DWN	DATE YY/MM/DD
A1	5693	INITIAL DESIGN	-	-
B1	5875	NEW BASEPLATE WITH INTEGRATED HEATPIPE COOLER	SKL	14/10/20

A

B

C

D

E

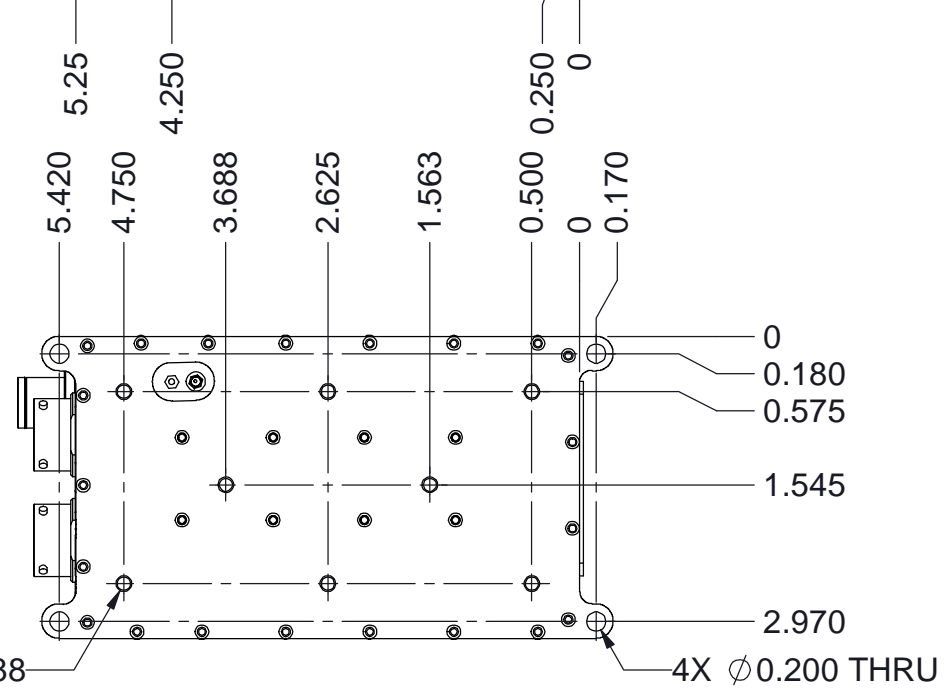
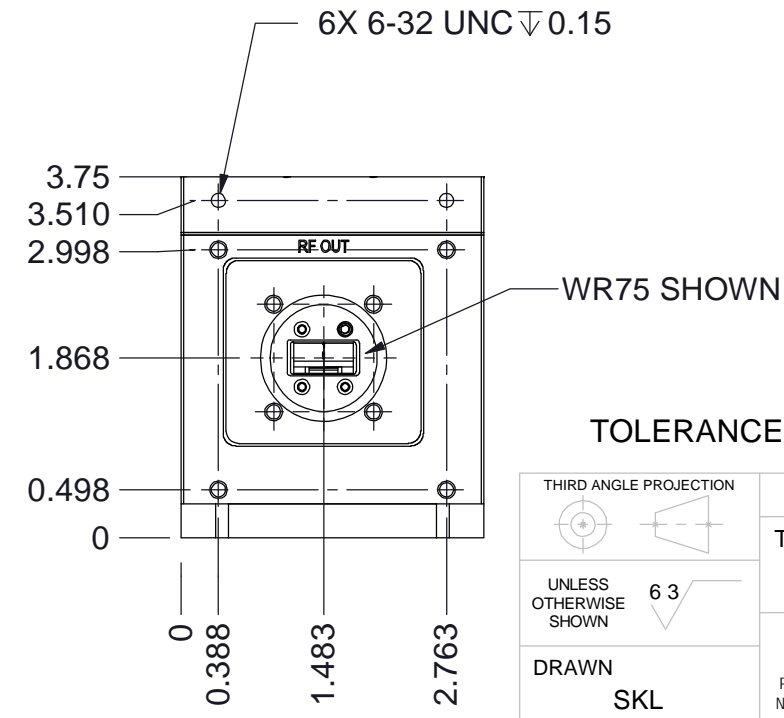
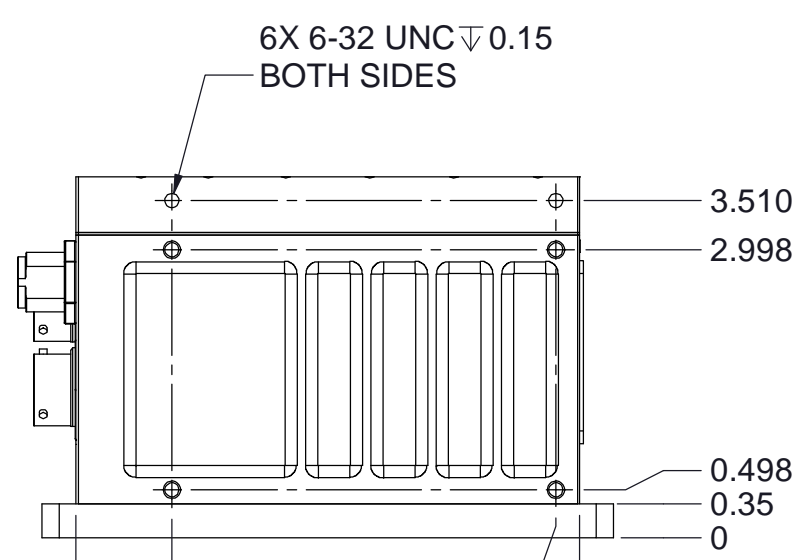
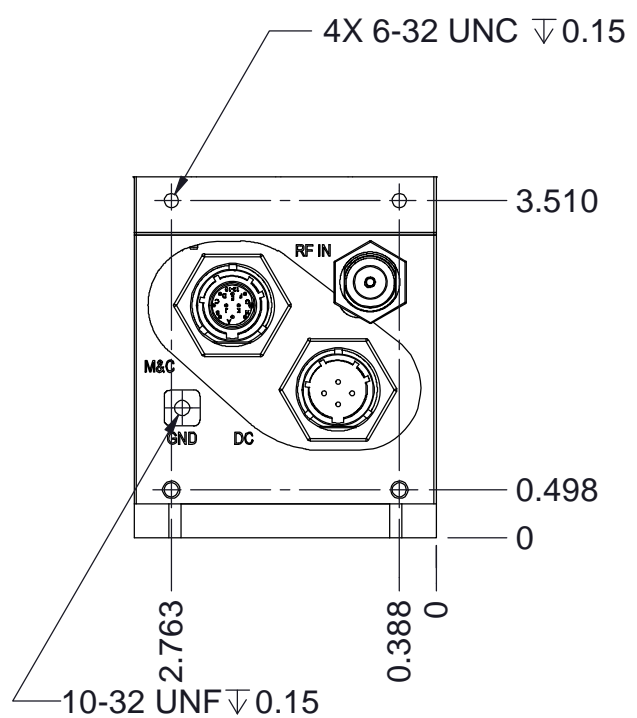
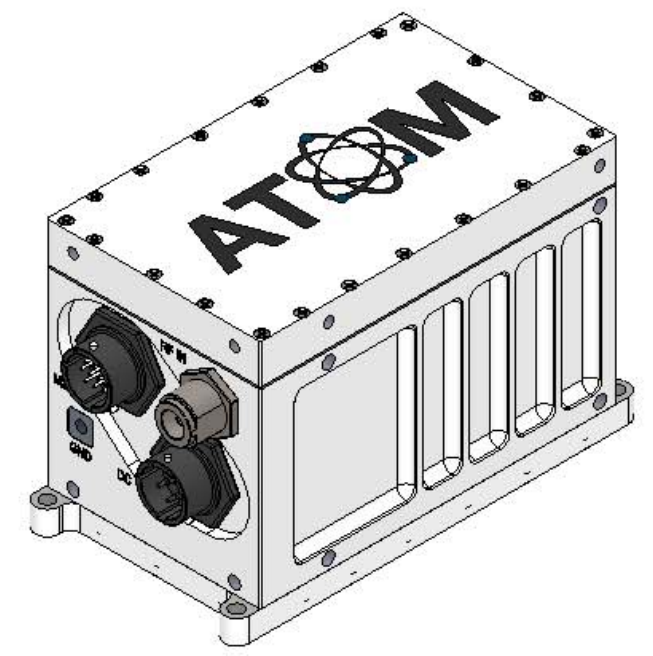
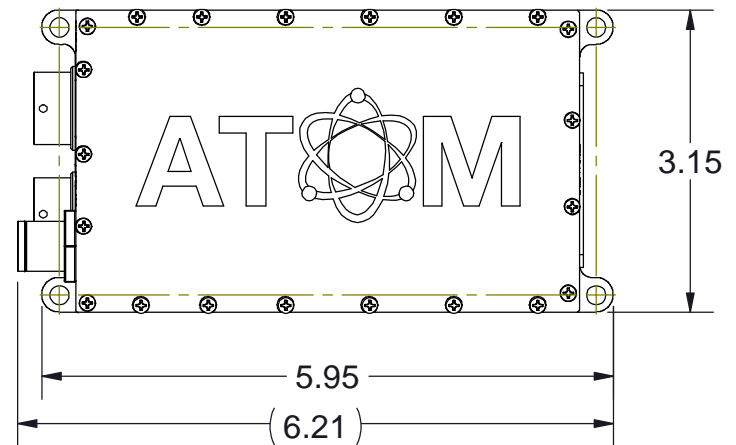
A

B

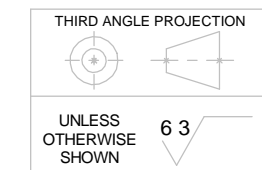
C

D

E



TOLERANCE FOR REFERENCE ONLY



DIMENSIONS ARE IN INCHES UNLESS OTHERWISE SHOWN				
TOLERANCE	.XX	.XXX	.XXX	ANGLES
UNLESS OTHERWISE SHOWN	$\pm 0.010"$	$\pm 0.003"$	$\pm 0.001"$	$\pm 0.5^\circ$

UNLESS OTHERWISE SHOWN	6.3
DRAWN	SKL
DATE	14/10/20
ENGINEER	MJS
ENGINEER	JTG
CHECKED	-
APPROVED	-
NEXT ASSEMBLY	-
©2013 Norsat International Inc.	

CONFIDENTIAL - NOT FOR PUBLICATION
 THIS IS A CONFIDENTIAL DOCUMENT, AND IN ACCEPTING IT, THE RECIPIENT ACKNOWLEDGES THAT IT IS PROVIDED UNDER THE DISTINCT CONDITION THAT IT IS FOR HIS CONFIDENTIAL USE ONLY, AND THAT HE SHALL NOT ALLOW IT TO BE REPRODUCED OR ITS CONTENTS DISCLOSED IN ANY MANNER WHATSOEVER IN WHOLE OR IN PART WITHOUT SPECIAL PERMISSION IN WRITING FROM Norsat International Inc. ALL RIGHTS RESERVED.

n | Norsat International Inc.
 110 - 4020 Viking Way, Richmond, B.C., Canada V6V 2L4
 Tel: 604.821.2800 Fax: 604.821.2801

Customer Service Drawing
Atom SSPA/BUC
WR62/75, DC in, 40/50W
Fanless (component cooled)

Part No.	DWG No.	SIZE
VARIOUS	PUB000572	B
SCALE: 1:2	SHEET 2 OF 2	

1

2

3

4

5

6

7

1

2

3

4

5

6

7